

Libec

www.libec-global.com

Libec



Heads, Tripod Systems & Monopod

Pedestal Systems

Jib, Remote Head & Tracking Rails

Remote Controls

Tripods & Cases

Accessories

2019/20



Beyond Quality Support

CONTENTS

4	Heads, Tripod Systems & Monopod	51	Jib, Remote Head & Tracking Rails
5	HFMP	52	SWIFT JIB
7	TH-X	54	REMOTE HEAD
9	TH-Z	56	Tracking Rails
13	Libec Sliders	57	Remote Controls, Tripods & Accessories
15	LX	58	Remote Controls
19	Our Technology	60	Tripods
21	RS	63	Tripod Cases
29	RS PLUS	65	Accessories
37	QD	69	Specifications
46	Pedestal Systems		



Heads, Tripod Systems & Monopod



HFMP

Support and Operate with Your Feet

A unique foot pedal with a smooth lock/release feature that allows the monopod to rest on its 3-leg locking base, creating a speedy and stable self-standing solution in the field while dramatically enhancing your mobility in all shooting environments.



Hands Free Monopod

An exceptional mini tripod structure with increased stability, allows the monopod to stand on its own with a wide range of cameras, allowing users to multi-task and make equipment adjustments in between shots, without the need to lay the monopod on the floor or lean it against the wall.



By stepping on the lock/release foot pedals, conveniently located symmetrically in three sections on the Free-stand Base, you are able to quickly lock/release the monopod during photo and video shoots.

Speedy Open/Close Functions

Designed for swift setups and compact travel, these user-friendly folding legs can be easily opened and closed with a push of a button.



Smooth Panoramic Rotation

A special built-in lubricated ball joint system, designed to prevent dust and debris from entering, offers smooth quality movements.



Quick Adjustment for your Preferred Height

A sleek design with numeric indicators for your preferred height settings.



HFMP



HFMP KIT

* Bowl clamp included (HFMP KIT only)
* The monopod's maximum payload does not guarantee a monopod's free-stand position, it only guarantees the monopod's maximum payload when using as a monopod.

Payload	8kg / 17.6lb (Including head)	4kg / 9lb
Tilt angle	—	+90° / -80°
Dual pan function design	—	Pan function on head
Temperature range	—	-20°C to +60°C / -4°F to +140°F
Weight	1.8kg / 4lb	2.7kg / 5.9lb
Height	74 to 176cm / 29.1 to 69.3"	87.5 to 189.5cm / 34.4 to 74.6"
Section	2 STAGE	2 STAGE
Leg lock type	Lock / Release Levers	Lock / Release Levers
Head attachment screw	3/8" screw	3/8" screw
Camera Plate	—	Sliding plate
	—	Compatible with Manfrotto and Sachtler heads
Pipe material	Aluminum	Aluminum
Pipe diameters (upper / mid / low)	34mm / 29.5mm / 25mm	34mm / 29.5mm / 25mm
Monopod case	Included	Included



HFMP

HANDS-FREE MONOPOD

TH-X

TH-X

Smart Tripod Companion

With improved operability, stability, and rigidity, the TH-X is by far the best tripod system that Libec has designed in this range.



Head

SNAP ON/OFF PLATE

Equipped with a one touch attach and release mechanism. Also, the sliding plate is compatible with Manfrotto and Sachtler heads, for speedy and easy setups in the field.



Tripod

Compact & Robust

Compact diameter of only 105mm/4.1" when folded. Newly designed legs and leg locks, the rigidity is greatly enhanced compared to other tripods, while maintaining an amazing lightness of 1.1kg/2.4lb.

DUAL HEAD

Dual-head specification available for both 75mm bowl and flat base tripods. Mountable on sliders, skater dollies, and other equipment.

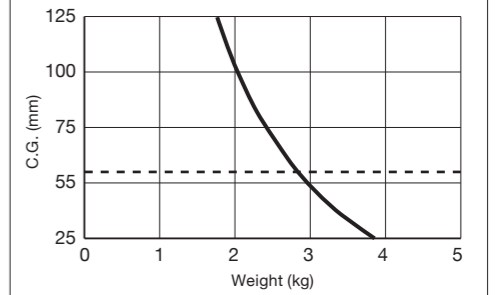


SNAP ON/OFF PLATE

TH-X H DUAL HEAD

Payload	4kg / 9lb
Counterbalance	FIX
Drag mode	FIX
Tilt angle	+90° / -80°
Temperature range	-20°C to +60°C / -4°F to +140°F
Bubble level	Non illuminated
Camera plate	Sliding plate Compatible with Manfrotto and Sachtler heads
Sliding range	+/-30mm / 1.2"
Plate attachment	1/4" screw with video pin
Spare screw	None
Weight	1.1kg / 2.4lb

TH-X H Counterbalance chart



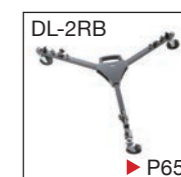
* Bowl clamp included



TH-X

Weight	3.1kg / 6.9lb
Height	75.5 to 159cm / 29.7 to 62.6"
Ball diameter	65mm
Section	2STAGE

Recommended Accessories



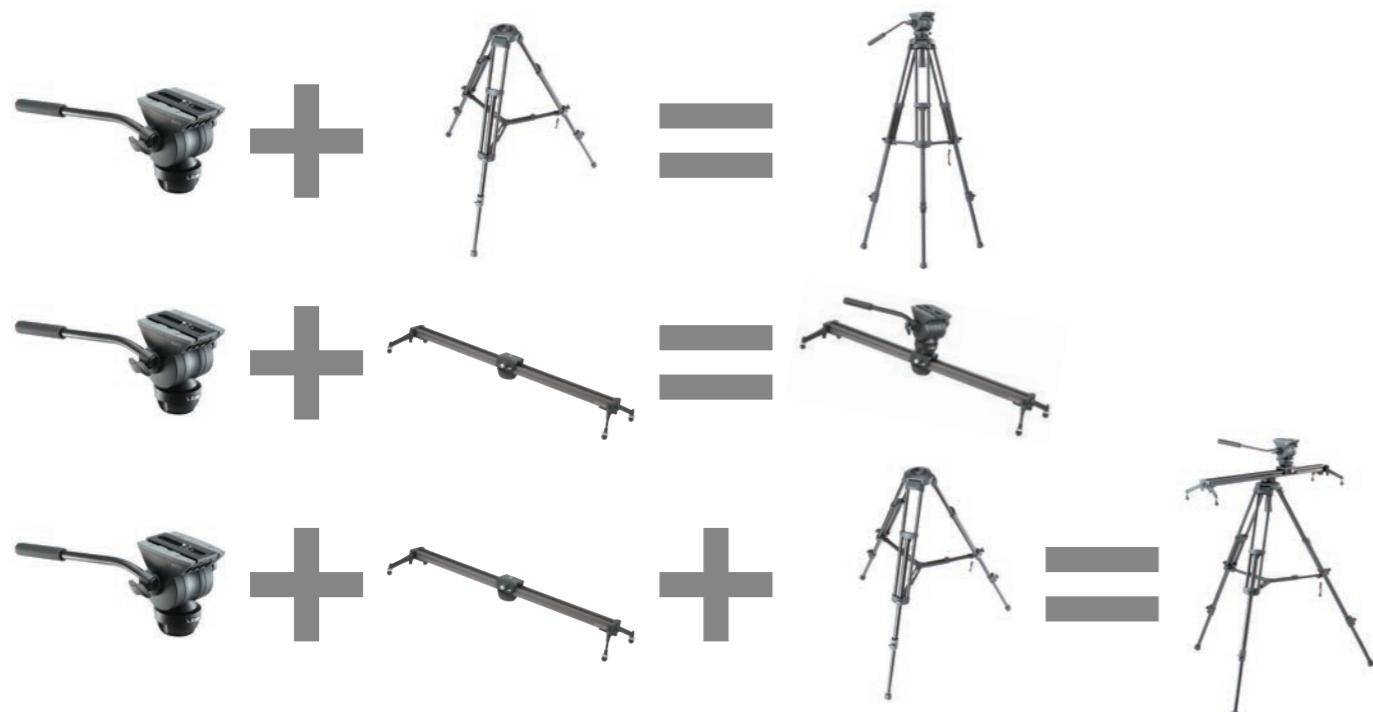
TH-Z



TH-Z

PAN, TILT, SLIDE

The TH-Z combined with Libec Sliders provides perfectly integrated movements of panning, tilting, and sliding.



Head



DUAL HEAD

Dual-head specification available for both 75mm bowl and flat base tripods. Mountable on sliders, skater dollies, and other equipment.

Lightweight

Total weight of only 1.1kg/2.4lb including the pan handle.



Tripod

Rigidity

In spite of its lightweight of only 2.4kg/5.3lb, the TH-Z tripod has a high rigidity. The extendable brace provides good stability when mounting sliders.

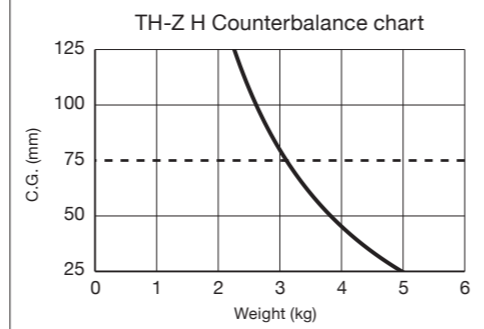
TH-Z



SNAP **ON OFF** PLATE

TH-Z H **New** DUAL HEAD

Payload	5kg / 11lb
Counterbalance	FIX
Drag mode	FIX
Tilt angle	+90° / -80°
Temperature range	-20°C to +60°C / -4°F to +140°F
Bubble level	Illuminated
Camera plate	Sliding plate Compatible with Manfrotto and Sachtler heads
Sliding range	+/-30mm / 1.2"
Plate attachment	1/4" screw with video pin
Spare screw	None
Weight	1.1kg / 2.4lb



* Bowl clamp included

TH-Z T **New**

Pipe material	Aluminum
Weight	2.4kg / 5.3lb
Height	58.5 to 149cm / 23 to 58.5"
Ball diameter	75mm
Section	2STAGE



SNAP **ON OFF** PLATE

DUAL HEAD



TH-Z **New**

Weight	3.5kg / 7.7lb
Height	71.5 to 161.5cm / 28 to 63.5"
Ball diameter	75mm
Section	2STAGE



TH-Z S4 KIT **New**

Weight	4.9kg / 10.8lb
Ball diameter	75mm
Section	2STAGE



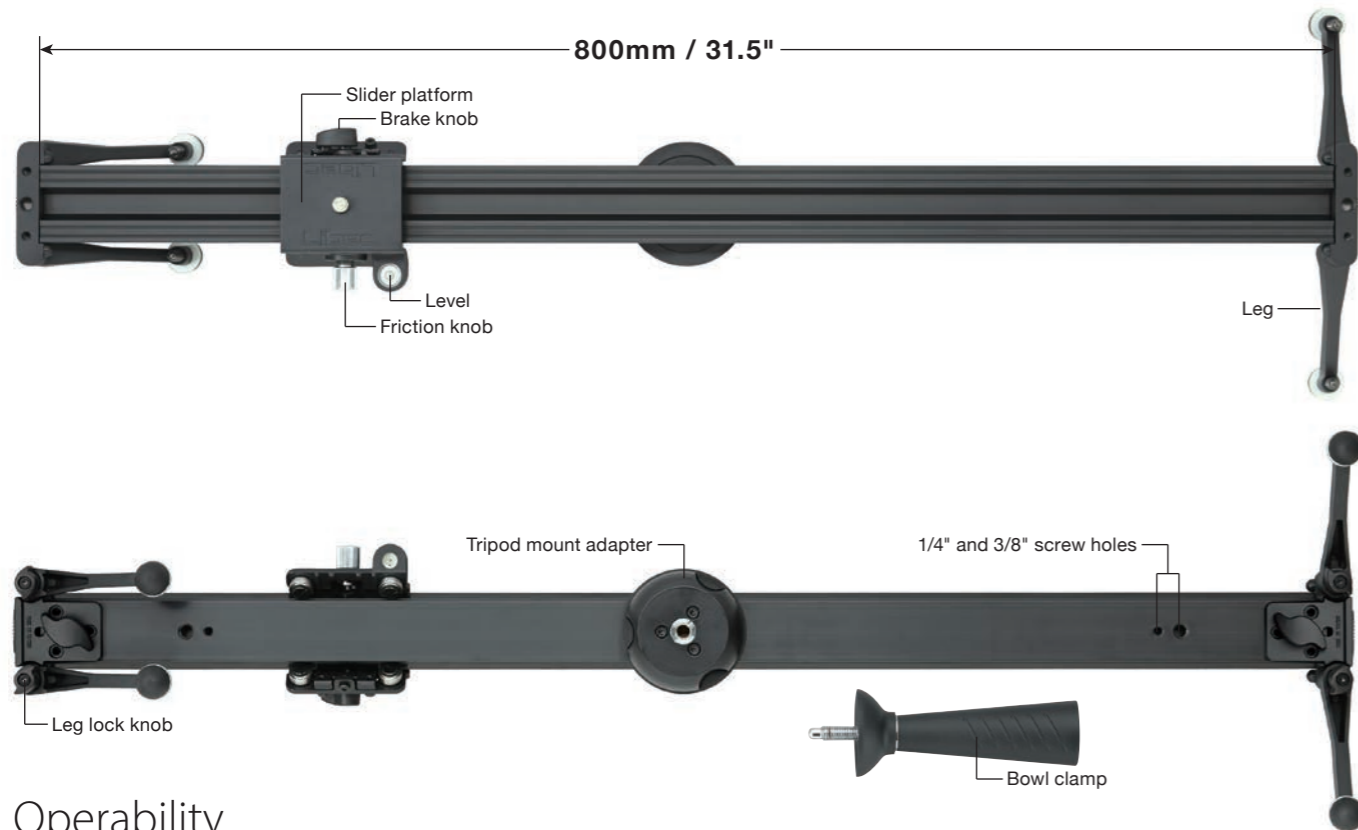
TH-Z S8 KIT **New**

Weight	5.3kg / 11.7lb
Ball diameter	75mm
Section	2STAGE

Recommended Accessories

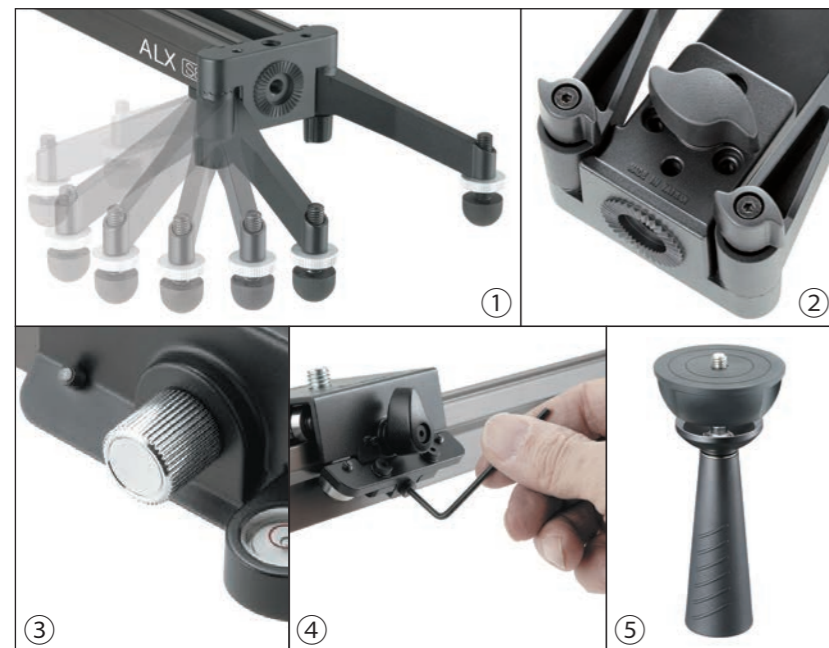
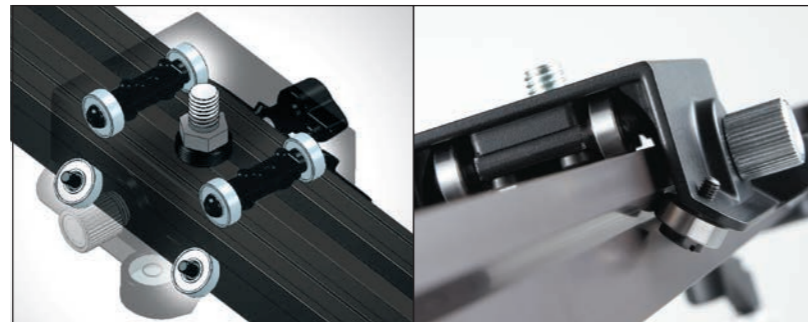


Libec Sliders



Operability

A perfect slider shooting with a smooth and delicate controllability. This is achieved by the eight high-performance ball bearings applied with specific grease, which are installed to the slider platform. The ball bearings are positioned efficiently on the rail top and at an angle on the other side to prevent wobbling during operation.



Usability

- ① Legs open and close to 180 degrees that allows to store the slider into the carrying case without removing the legs.
- ② The rail can be easily detached and replaced by using the leg lock knob.
- ③ The spring-equipped friction knob enables precise weight adjustment for a smooth sliding movement.
- ④ Using the supplied hexagon wrench, pushing force of the ball bearing against the rail can be adjusted.
- ⑤ Tripod mount adapter and bowl clamp are included for mounting the slider on 75mm ball diameter tripods.



ALX S4

Weight	1.4kg / 3.1lb *
Payload	15kg / 33lb **
Head attachment screw	3/8" screw
Screw holes on the rail's back side	1/4" and 3/8" screw holes
Rail length	400mm / 15.5"
Sliding range	308mm / 12"

* Weight exclude tripod mount adapter and bowl clamp.
** Payload when not attached to tripod.



ALX S8

Weight	1.8kg / 4lb *
Payload	15kg / 33lb **
Head attachment screw	3/8" screw
Screw holes on the rail's back side	1/4" and 3/8" screw holes
Rail length	800mm / 31.5"
Sliding range	708mm / 28"

* Weight exclude tripod mount adapter and bowl clamp.
** Payload when not attached to tripod.



ALX S12

Weight	2.5kg / 5.5lb *
Payload	15kg / 33lb **
Head attachment screw	3/8" screw
Screw holes on the rail's back side	1/4" and 3/8" screw holes
Rail length	1,200mm / 47"
Sliding range	1,108mm / 43.5"

* Weight exclude tripod mount adapter and bowl clamp.
** Payload when not attached to tripod.

1. Slider body
2. Tripod mount adapter
3. Maintenance brush
4. Hexagon wrench (2.5mm / 0.1")
5. Bowl clamp
6. Padded carrying case

LX



Outstanding payload and rigidity with extremely smooth torque performance at the best value in the range. Remarkably high-performance features with incomparable cost effectiveness.

LX



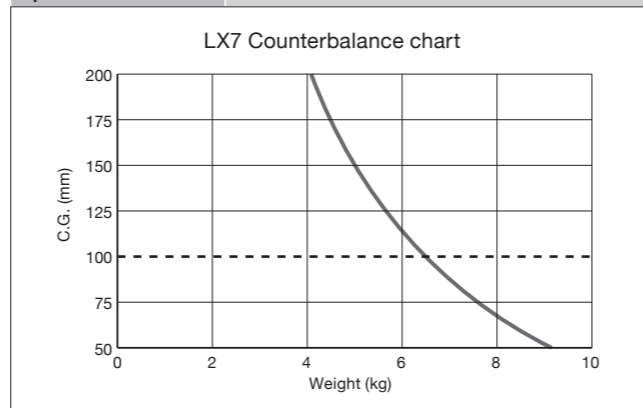
Heads, Tripod Systems & Monopod

10

Cost Effective Model for Large Hand-held Cameras and Large Camcorders



Payload	8kg / 17.5lb
Counterbalance	FIX
Drag mode	FIX
Tilt angle	+90° / -80°
Temperature range	-20°C to +60°C / -4°F to +140°F
Bubble level	Non illuminated
Camera plate	Sliding plate
Sliding range	+/- 40mm / 1.6"
Plate attachment	1/4" screw with video pin
Spare screw	3/8" screw



LX7

LX7 Head / RT30B / SP-2B / TC-70
System with floor spreader

Weight	5.5kg / 12.1lb
Height	56 to 166cm / 22 to 65.5"
Ball diameter	75mm
Section	2STAGE

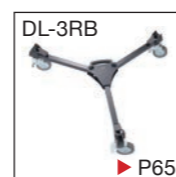


LX7 M

LX7 Head / RT30B / BR-2B / FP-2B / TC-70
System with mid-level spreader

Weight	5.2kg / 11.4lb
Height	81 to 165.5cm / 32 to 65"
Ball diameter	75mm
Section	2STAGE

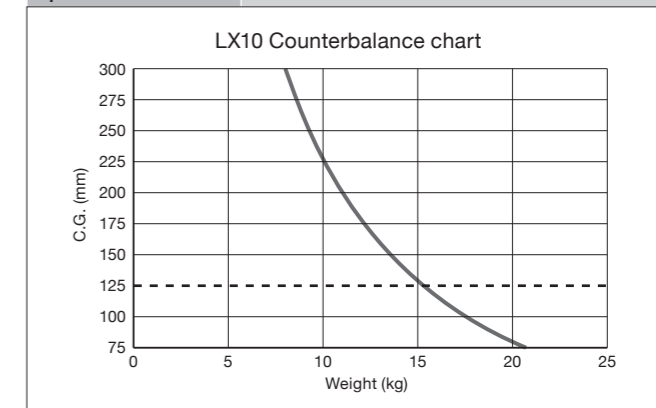
Recommended Accessories



Cost Effective Model for Shoulder Cameras



Payload	16kg / 35lb
Counterbalance	FIX
Drag mode	2STEP
Tilt angle	+85° / -65°
Temperature range	-20°C to +60°C / -4°F to +140°F
Bubble level	Non illuminated
Camera plate	Sliding plate
Sliding range	+/- 50mm / 2"
Plate attachment	3/8" screw x 2
Spare screw	3/8" screw



LX10

LX10 Head / RT50B / SP-2B / RC-50
System with floor spreader

Weight	7.6kg / 16.7lb
Height	63 to 173.5cm / 25 to 68.5"
Ball diameter	100mm
Section	2STAGE



LX10 M

LX10 Head / RT50B / BR-6B / FP-2B / RC-50
System with mid-level spreader

Weight	7.4kg / 16.3lb
Height	83 to 171.5cm / 32.5 to 67.5"
Ball diameter	100mm
Section	2STAGE

Recommended Accessories



LX10 Studio

LX10 Head (Dual pan handle) / RT50B / DL-3RB
System with dolly

Weight	10.9kg / 24lb
Height	91.5 to 187cm / 36 to 73.5"
Ball diameter	100mm
Section	2STAGE

Our Technology

Importance of Counterbalance

When looking for a suitable tripod head for your camera, one of the most important aspects to consider is counterbalancing capability. The counterbalancing function provides a counterforce to keep the balance between the tripod head and the camera that is mounted on it. If the right counterbalance is maintained, the camera remains stationary at any angle of tilt. You do not need to worry about holding the camera by hand and yet are able to maintain precise control of the camera.

Counterbalancing Capability

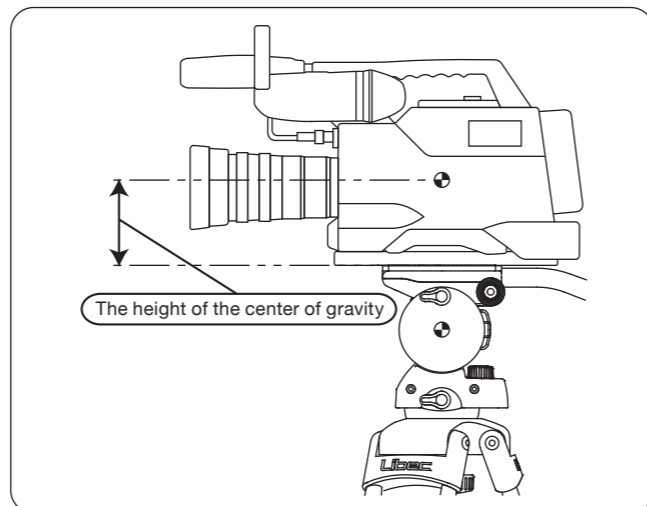
RS/RS PLUS/QD is equipped with an excellent counterbalancing system that provides a perfect counterforce that corresponds to the weight and angle of the camera. A special innerspring mechanism is used for this system. When the strength of a spring is insufficient, the head cannot bear the weight of the camera. If a spring is too strong, the camera will tilt upward. RS/RS PLUS/QD "variable counterbalance system" enables users to adjust the strength of the innerspring within a certain range using the counterbalance knob located on the outside of the head. Different cameras can be used and a perfect counterbalance can be set for each individual camera.

Counterbalance Chart to Help you Choose the Perfect Tripod Head

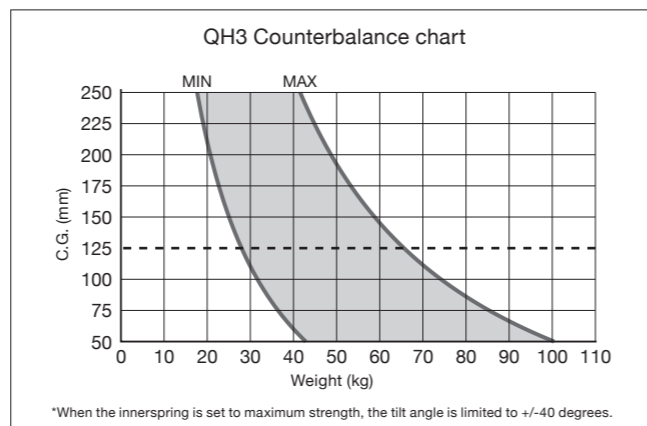
The definitive way to find the most accurate counterbalance between camera/accessories and a tripod head is to actually mount the camera on the head. However, you can use this counterbalance chart to get a rough idea of the correct counterbalance. The vertical axis of the chart depicts the height of the gravitational center and the horizontal axis is load weight (total weight of the camera and accessories). Based on the combination of these two elements, you can find a suitable tripod head for your camera. The area between the two curved lines represents the range of counterbalance that you can set with the counterbalance adjustment knob. When a standard lens, microphone and battery are used, the normal height of the gravitational center is approximately 200mm/7.9"(box lens), 125mm/4.9"(shoulder type camera) and 75mm/3"(hand-held camera). The height of the gravitational center will not shift much even when a different lens or a different battery is used on the back of the camera. Please be aware that attaching a light or a monitor on top of the camera will shift the center of gravity.



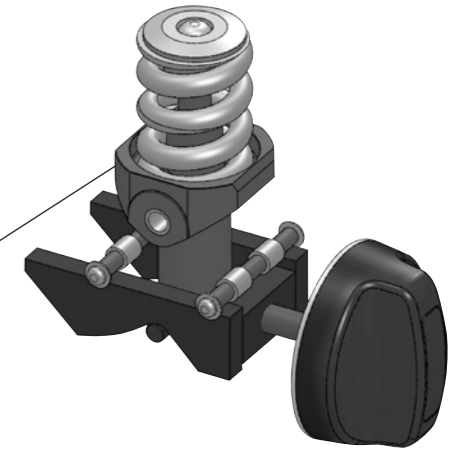
Fine-tunable counterbalance knob



The height of the center of gravity is the distance from the center of the camera to the top of the head (or the camera plate). The shorter this distance, the higher the weight point becomes.



Smooth Balancing, the spring tension gets stronger as the counterbalance adjustment knob is turned clockwise, increasing tension on the knob. This difficulty is simplified by the head's **smooth balancing system** which stabilizes the turning force efficiently. The knob can be turned with constant force and offers easy and speedy adjustments.



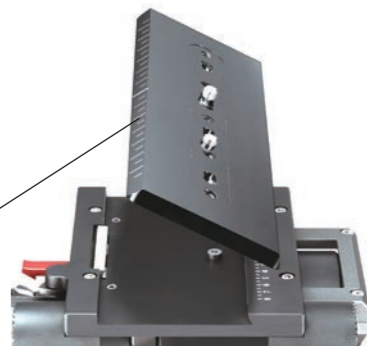
Torque System

The sealed torque unit contributes to the smooth start and stop of pan and tilt movement, and produces precise camerawork just as intended. In addition, specific silicon grease is applied to ensure ordinary pan and tilt movement at a wide temperature range from -40°C / -40°F up to +60°C / +140°F (QD from -20°C / -4°F up to +60°C / +140°F). The variable seven-step torque switch system covers remarkably wide torque range, by which an optimum torque is selectable according to every shooting condition and circumstances.



SNAP ON/OFF PLATE

RS PLUS/QD is equipped with a camera plate that is attachable and detachable with just one touch, promoting speedy and easy setup.



RS



Heads, Tripod Systems & Monopod

The RS models feature their sophisticated high-functionality, backed by Libec's outstanding technology and quality. Equipped with free-step ultimate counterbalance system and variable torque switch system operatable in low-temperature.

RS

Advanced Model for Small Cameras



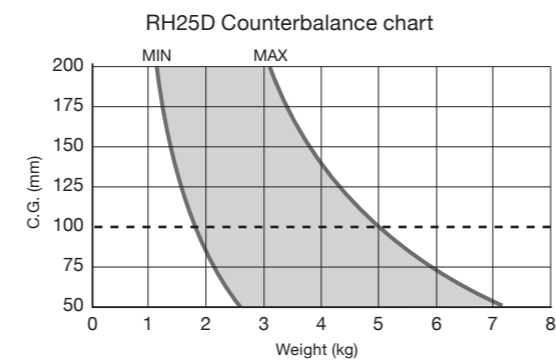
DUAL HEAD

Dual-head specification available for both 75mm bowl and flat base tripods. Mountable on sliders, skater dollies, and other equipment.



RH25D

Counterbalance range	1.8 to 5kg / 4 to 11lb (C.G.100mm)
Payload	6kg / 13lb
Counterbalance	Continuous
Drag mode	2STEP
Tilt angle	+90° / -70°
Temperature range	-40°C to +60°C / -40°F to +140°F
Bubble level	Illuminated
Camera plate	Sliding plate
Sliding range	+/-40mm / 1.6"
Plate attachment	1/4" screw with video pin
Spare screw	1/4" and 3/8" screws
Weight	2.5kg / 5.5lb



*When the innerspring is set to maximum strength, the tilt angle is limited to +/-40 degrees.



RS-250D

RH25D / RT30B / SP-2B / RC-30

System with floor spreader

Weight	6kg / 13.2lb
Height	55 to 165cm / 21.5 to 65"
Ball diameter	75mm
Section	2STAGE



RS-250DM

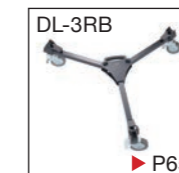
RH25D / RT30B / BR-2B / FP-2B / RC-30

System with mid-level spreader

Weight	5.7kg / 12.5lb
Height	80 to 164.5cm / 31.5 to 65"
Ball diameter	75mm
Section	2STAGE



Recommended Accessories



Advanced Model for Large Camcorders



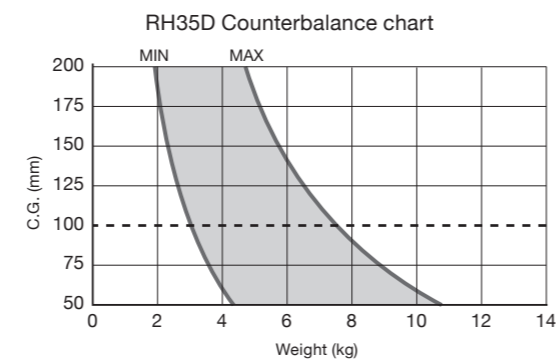
DUAL HEAD

Dual-head specification available for both 75mm bowl and flat base tripods. Mountable on sliders, skater dollies, and other equipment.



RH35D New

Counterbalance range	3 to 7.5kg / 6.5 to 16.5lb (C.G.100mm)
Payload	9kg / 20lb
Counterbalance	Continuous
Drag mode	Free plus 3STEP
Tilt angle	+90° / -70°
Temperature range	-40°C to +60°C / -40°F to +140°F
Bubble level	Illuminated
Camera plate	Sliding plate
Sliding range	+/-40mm / 1.6"
Plate attachment	1/4" screw with video pin
Spare screw	1/4" and 3/8" screws
Weight	2.7kg / 5.9lb



*When the innerspring is set to maximum strength, the tilt angle is limited to +/-40 degrees.



RS-350D New

RH35D / RT30B / SP-2B / RC-30
System with floor spreader

Weight	6.2kg / 13.6lb
Height	56 to 166cm / 22 to 65.5"
Ball diameter	75mm
Section	2STAGE



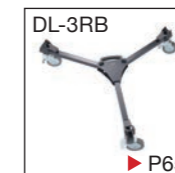
RS-350DM New

RH35D / RT30B / BR-2B / FP-2B / RC-30
System with mid-level spreader

Weight	5.9kg / 13lb
Height	81 to 165.5cm / 32 to 65"
Ball diameter	75mm
Section	2STAGE



Recommended Accessories



Advanced Model for Large Sensor Cameras and Shoulder Cameras



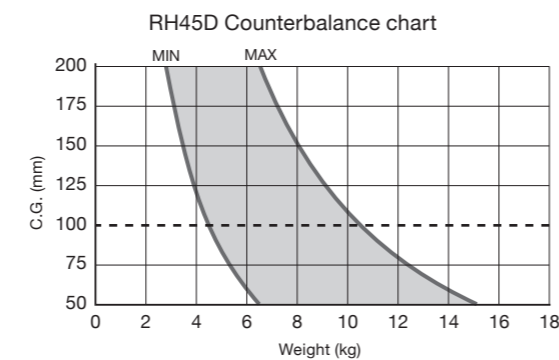
DUAL HEAD

Dual-head specification available for both 75mm bowl and flat base tripods. Mountable on sliders, skater dollies, and other equipment.



RH45D

Counterbalance range	4.5 to 10.5kg / 10 to 23lb (C.G.100mm)
Payload	12kg / 26.5lb
Counterbalance	Continuous
Drag mode	Free plus 3STEP
Tilt angle	+90° / -70°
Temperature range	-40°C to +60°C / -40°F to +140°F
Bubble level	Illuminated
Camera plate	Sliding plate
Sliding range	+/-40mm / 1.6"
Plate attachment	1/4" screw with video pin
Spare screw	1/4" and 3/8" screws
Weight	2.7kg / 5.9lb



*When the innerspring is set to maximum strength, the tilt angle is limited to +/-40 degrees.



RS-450D

RH45D / RT40RB / SP-2B / RC-50
System with floor spreader

Weight	6.7kg / 14.7lb
Height	63 to 173cm / 25 to 68"
Ball diameter	75mm
Section	2STAGE



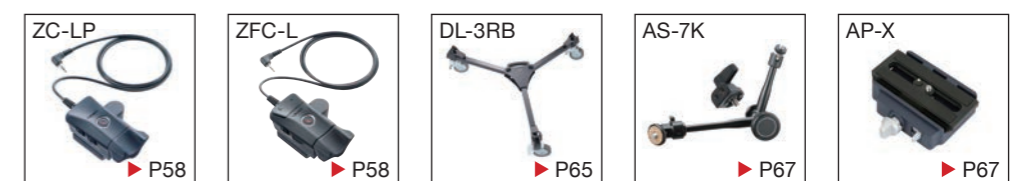
RS-450DM

RH45D / RT40RB / BR-6B / FP-2B / RC-50
System with mid-level spreader

Weight	6.5kg / 14.3lb
Height	82.5 to 171cm / 32.5 to 67.5"
Ball diameter	75mm
Section	2STAGE



Recommended Accessories



RS PLUS



The perfect controllability captures every single movement. Setup, shooting and transportation. Excellent, user-friendly for all situations. Libec's stylish and highly-developed technology leads to a new tripod range. From the studio to the EFP and OB, RS PLUS series is the perfect tripod system for every broadcast production.

RS + PLUS



Heads, Tripod Systems & Monopod

850

750

750

High Performance Model for Shoulder Cameras
Used in Studios, OB, and ENG



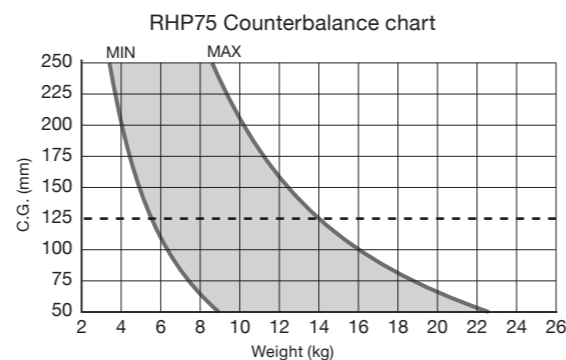
SNAP ON OFF PLATE

The camera plate is attachable and detachable with just one touch, promoting speedy and easy setup.



RHP75

Counterbalance range	5.5 to 14kg / 12 to 31lb (C.G.125mm)
Payload	17kg / 37.5lb
Counterbalance	Continuous
Drag mode	7STEP
Tilt angle	+90° / -70°
Temperature range	-40°C to +60°C / -40°F to +140°F
Bubble level	Illuminated
Camera plate	Sliding plate
Sliding range	+/-55mm / 2.2"
Head attachment	100mm ball
Plate attachment	3/8" screw x 2
Spare screw	3/8" screw
Weight	4kg / 8.8lb



*When the innerspring is set to maximum strength, the tilt angle is limited to +/-40 degrees.



RSP-750

RHP75 / RT50B / SP-2B / RC-70
System with floor spreader

Weight	8kg / 17.6lb
Height	65 to 175.5cm / 25.5 to 69"
Ball diameter	100mm
Section	2STAGE



RSP-750C Carbon pipe

RHP75 / RT50C / SP-2B / RC-70
System with floor spreader

Weight	7.7kg / 16.9lb
Height	65 to 175.5cm / 25.5 to 69"
Ball diameter	100mm
Section	2STAGE

Recommended Accessories



▶ P59



▶ P65



▶ P65



▶ P68



RSP-750M

RHP75 / RT50B / BR-6B / FP-2B / RC-70
System with mid-level spreader

Weight	7.8kg / 17.2lb
Height	85 to 173.5cm / 33.5 to 68.5"
Ball diameter	100mm
Section	2STAGE



RSP-750MC Carbon pipe

RHP75 / RT50C / BR-6B / FP-2B / RC-70
System with mid-level spreader

Weight	7.5kg / 16.5lb
Height	85 to 173.5cm / 33.5 to 68.5"
Ball diameter	100mm
Section	2STAGE

RSP-750PD(B)

RHP75 / P110B / PH-8B(L)

Payload	17kg / 37.5lb
Weight	20.8kg / 45.8lb
Height	101 to 176cm / 40 to 69.5"
Ball diameter	100mm
Column	2STAGE



RSP-750PD(S)

RHP75 / P110S / PH-8B(L)

Payload	17kg / 37.5lb
Weight	22.1kg / 48.6lb
Height	99.5 to 174.5cm / 39 to 68.5"
Ball diameter	100mm
Column	2STAGE



High Performance Model for Shoulder Cameras
Used in Studios, OB, and ENG



SNAP ON/OFF PLATE

The camera plate is attachable and detachable with just one touch, promoting speedy and easy setup.



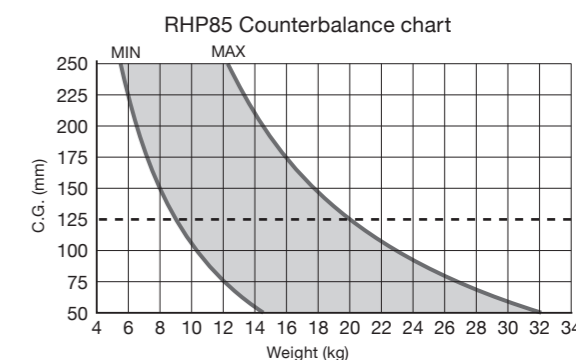
Long sliding plate

Recommended Accessories



RHP85

Counterbalance range	9 to 20kg / 20 to 44lb (C.G.125mm)
Payload	25kg / 55lb
Counterbalance	Continuous
Drag mode	7STEP
Tilt angle	+90° / -70°
Temperature range	-40°C to +60°C / -40°F to +140°F
Bubble level	Illuminated
Camera plate	2 Sliding plates (Standard + Long)
Sliding range	+/-55mm / 2.2"(Standard), +/-85mm / 3.3"(Long)
Head attachment	100mm ball
Plate attachment	3/8" screw x 2
Spare screw	3/8" screw
Weight	4.1kg / 9lb

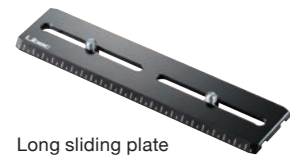


*When the innerspring is set to maximum strength, the tilt angle is limited to +/-40 degrees.

RSP-850

RHP85 / T103B / SP-6B / RC-80
System with floor spreader

Weight	11.8kg / 26lb
Height	79.5 to 191.5cm / 31.5 to 75.5"
Ball diameter	100mm
Section	2STAGE



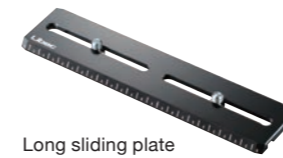
Long sliding plate



RSP-850PD(B)

RHP85 / P110B / PH-8B(L)

Payload	25kg / 55lb
Weight	20.9kg / 46lb
Height	101 to 176cm / 40 to 69.5"
Ball diameter	100mm
Column	2STAGE



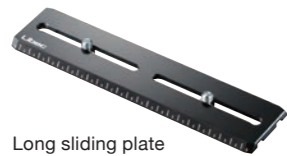
Long sliding plate



RSP-850M

RHP85 / T103B / BR-6B / FP-6B / RC-80
System with mid-level spreader

Weight	11.6kg / 25.5lb
Height	95.5 to 189.5cm / 37.5 to 74.5"
Ball diameter	100mm
Section	2STAGE



Long sliding plate



RSP-850PD(S)

RHP85 / P110S / PH-8B(L)

Payload	25kg / 55lb
Weight	22.2kg / 48.8lb
Height	99.5 to 174.5cm / 39 to 68.5"
Ball diameter	100mm
Column	2STAGE



Long sliding plate



Recommended Accessories



QD



"QD" stands for "Quality Defined".
 The QD Series redefines the Price Quality
 Relationship in this price range,
 bringing a new balance between price,
 payload, and performance.

QD



Heads, Tripod Systems & Monopod

30

10



Head



Center tilt lock

Counterbalance meter

Smooth counterbalance system

Flat base & 150mm ball

1/4" and 3/8" screw holes for accessories

Tripod

New leg lock knob design



Flat base with high compatibility

Easy-read air pressure gauge

Detachable steering handle

Upper column with perfect balance feature

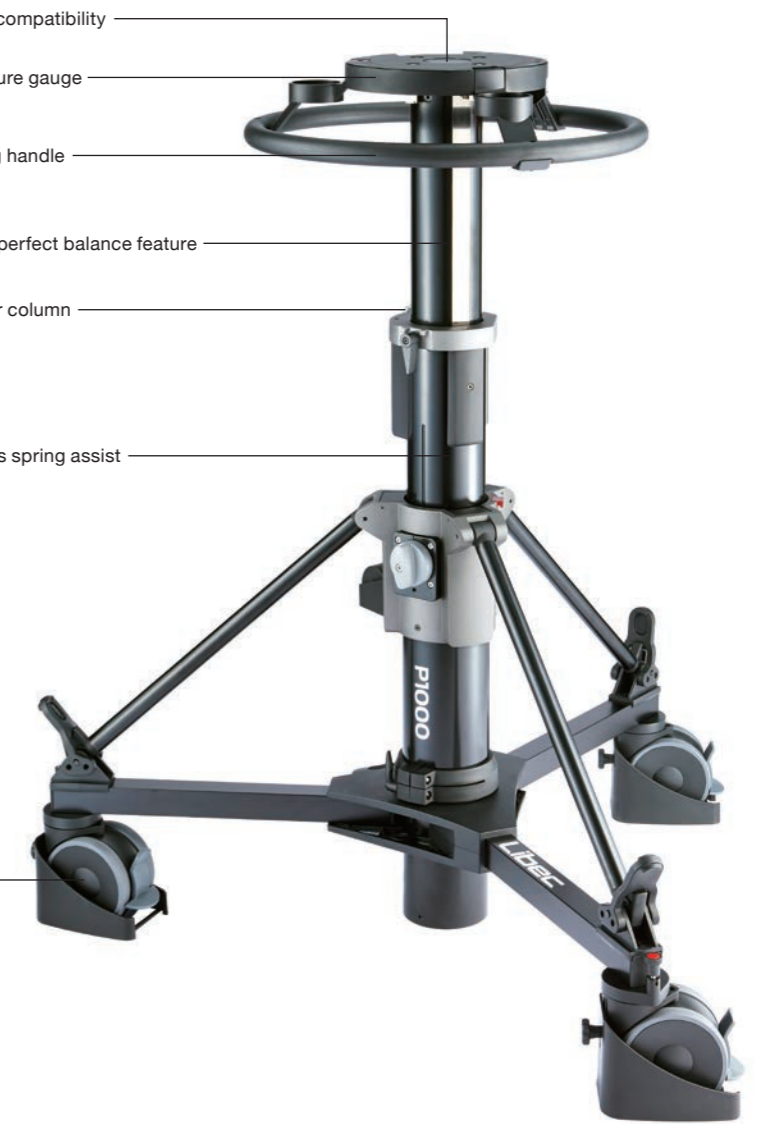
Drag knob for upper column

Mid column with gas spring assist

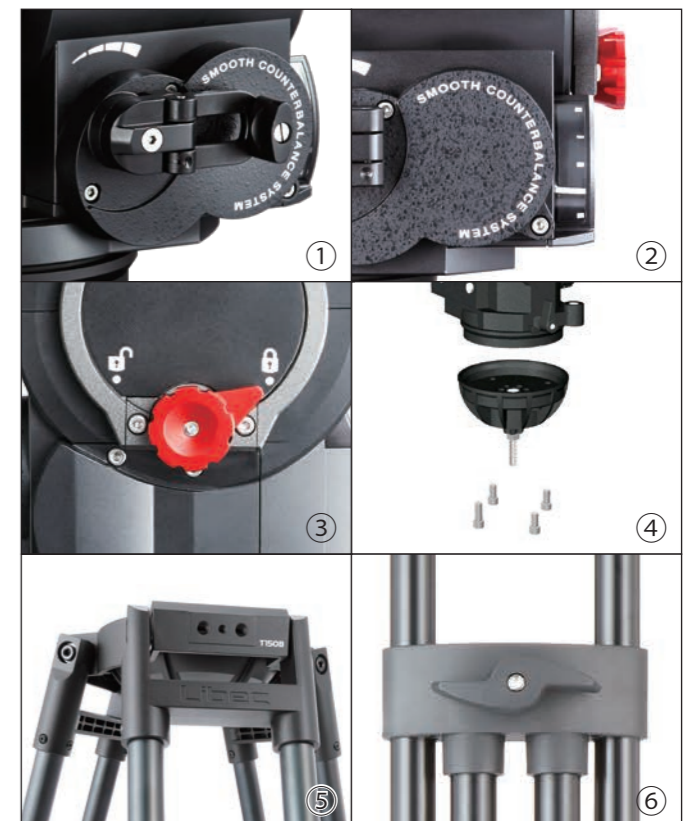
Pedestal

For Details ▶ P49

High performance casters with track lock mechanism



- ① The Smooth Counterbalance System is a unique Libec technology that allows the counterbalance knob to be adjusted with constant motion to smoothly reach the minimum and maximum power range. The foldaway knob is designed for easy speedy adjustments.
- ② The counterbalance power level can be easily viewed by looking at the Counterbalance Meter.
- ③ For the camera system's safety, the head can be physically locked into a center tilt position. Even at a distance, the arrow shaped knob and Lock/Unlock symbols are visible.
- ④ The BL-150 ball base adapter is included inside the kit, which converts the flat base head into a 150mm ball head.
- ⑤ Each side of the tripod has three screw holes for accessory attachments.
- ⑥ The newly designed leg lock knob are easy to turn, allowing users to adjust tripod legs quickly and firmly.



Flagship Model for Large Prompter Systems and Small Box Lens Systems



SNAP ON/OFF PLATE

The camera plate is attachable and detachable with just one touch, promoting speedy and easy setup.

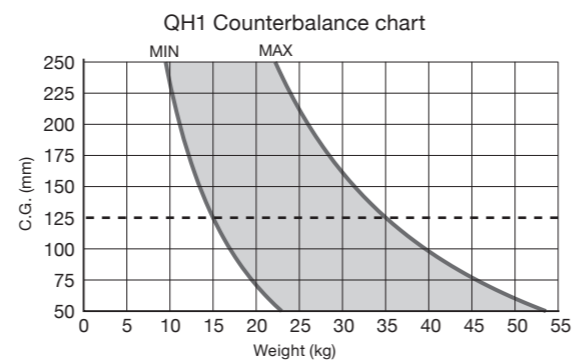


BL-150



QH1 New

Counterbalance range	15 to 35kg / 33 to 77lb (C.G.125mm)
Payload	40kg / 88lb
Counterbalance	Continuous
Drag mode	7STEP
Tilt angle	+90° / -70°
Temperature range	-20°C to +60°C / -4°F to +140°F
Bubble level	Illuminated
Camera plate	Sliding plate
Sliding range	+/-75mm / 2.9"
Head attachment	150mm ball / Flat base with 4 bolts
Plate attachment	3/8" screw x 2
Spare screw	3/8" screw x 2
Weight	12.7kg / 27.9lb



*When the innerspring is set to maximum strength, the tilt angle is limited to +/-40 degrees.



QD-10 New

QH1 / T150B / SP-15B / BL-150
System with floor spreader

Weight	21.6kg / 47.5lb
Height	82 to 186.5cm / 32.5 to 73.5"
Ball diameter	150mm
Section	2STAGE



QD-10M New

QH1 / T150B / BR-6B / FP-6B / BL-150
System with mid-level spreader

Weight	21.4kg / 47.1lb
Height	97.5 to 186cm / 38.5 to 73"
Ball diameter	150mm
Section	2STAGE



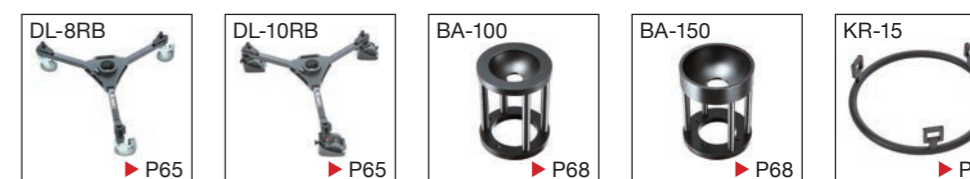
BL-150

QD-10PD New

QH1 / P1000 / BL-150

Payload	40kg / 88lb
Weight	39kg / 85.8lb
Height	91.5 to 173cm / 36 to 68"
Head attachment	Flat base with 4 bolts
Column	2STAGE

Recommended Accessories



DL-8RB



P65

DL-10RB



P65

BA-100



P68

BA-150



P68

KR-15



P68

Flagship Model for Mid-size Box Lens Systems

SNAP ON/OFF PLATE

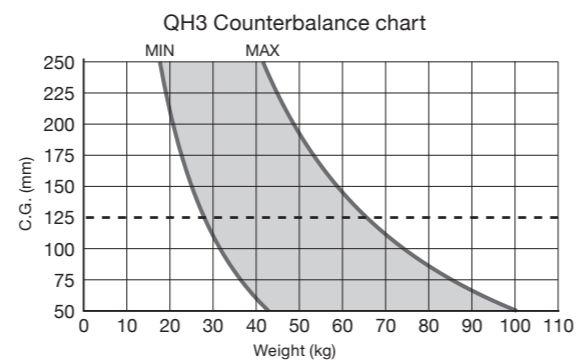
The camera plate is attachable and detachable with just one touch, promoting speedy and easy setup.



BL-150

QH3 New

Counterbalance range	28 to 65kg / 61.6 to 143lb (C.G.125mm)
Payload	69kg / 151.8lb
Counterbalance	Continuous
Drag mode	7STEP
Tilt angle	+90° / -70°
Temperature range	-20°C to +60°C / -4°F to +140°F
Bubble level	Illuminated
Camera plate	Sliding plate
Sliding range	+/-75mm / 2.9"
Head attachment	150mm ball / Flat base with 4 bolts
Plate attachment	3/8" screw x 2
Spare screw	3/8" screw x 2
Weight	12.7kg / 27.9lb



*When the innerspring is set to maximum strength, the tilt angle is limited to +/-40 degrees.



QD-30 New

QH3 / T150B / SP-15B / BL-150
System with floor spreader

Weight	21.6kg / 47.5lb
Height	82 to 186.5cm / 32.5 to 73.5"
Ball diameter	150mm
Section	2STAGE



QD-30M New

QH3 / T150B / BR-6B / FP-6B / BL-150
System with mid-level spreader

Weight	21.4kg / 47.1lb
Height	97.5 to 186cm / 38.5 to 73"
Ball diameter	150mm
Section	2STAGE



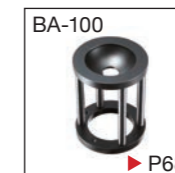
BL-150

QD-30PD New

QH3 / P1000 / BL-150

Payload	47kg / 103.4lb
Weight	39kg / 85.8lb
Height	91.5 to 173cm / 36 to 68"
Head attachment	Flat base with 4 bolts
Column	2STAGE

Recommended Accessories





Pedestal Systems



Pedestal Systems

Pedestal Systems

P110



100mm bowl
*Compatible with 75mm ball heads and other brand heads when using our adapters.

Pneumatic upper column
(Supported by air pressure)

Mid column

Air pump included

P110B Outside Broadcast Version

Large sized 125mm/4.9" casters provide quick smooth movement. The double stopper mechanism enables a one-touch locking of the wheel.



Payload	30kg / 66lb
Weight	15.1kg / 33.2lb
Height	82.5 to 157.5cm / 32.5 to 62"
Ball diameter	100mm
Column	2STAGE



P110S Studio Version

The P110S is equipped with large high performance 125mm/4.9" casters with removable cable guards. The casters have a track lock mechanism which allows users to set and move the dolly in three different modes: Free Mode, Tracking Mode, and Steer Mode. The caster's locking sound is minimal.



Payload	30kg / 66lb
Weight	18.6kg / 40.9lb
Height	81 to 156cm / 32 to 61.5"
Ball diameter	100mm
Column	2STAGE



P110S Compact **New**

Payload	30kg / 66lb
Weight	17Kg / 37.5lb
Height	81 to 156cm / 32 to 61.5"
Ball diameter	100mm
Column	2STAGE



Recommended Accessories



Pedestal Systems

P1000



Flat base with high compatibility

Easy-read air pressure gauge

Detachable steering handle

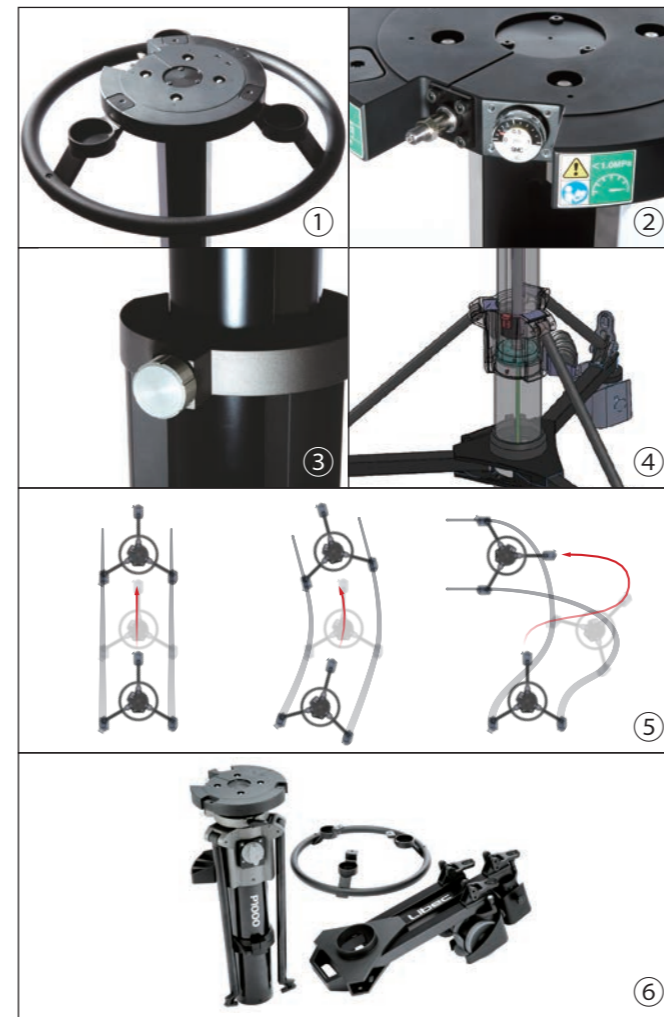
Upper column with perfect balance feature

Drag knob for upper column

Mid column with gas spring assist

KR-15 (optional)

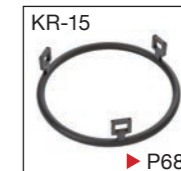
High performance casters with track lock mechanism



- ① Not only compatible with Libec heads but other brand heads as well. With optional accessories, ball based heads can also be attached on this pedestal.
- ② Air pressure can be easily checked with the air pressure meter.
- ③ Upper column friction can be adjusted to preferred settings with the drag knob.
- ④ The gas spring inside the P1000 pedestal supports the mid column's elevation, allowing safe and easy height adjustments and setups with heavy equipment.
- ⑤ The high performance 125mm large casters are equipped with removable cable guards. The casters has a track lock mechanism which allows users to set and move the dolly in three different modes: Free Mode, Tracking Mode, and Steer Mode. The caster's locking sound is minimal.
- ⑥ The P1000 can be easily disassembled into the P1000 Column, the steering handle, and the dolly. This makes the P1000 easy to transport within studios and outside broadcast sites.



Recommended Accessories



P1000 New

Payload	60kg / 132lb
Column elevation mechanism	Upper : Perfect balance supported by air pressure Lower : Gas spring assist
Column	2STAGE
Upper stroke	41.5cm / 16.3"
Lower stroke	39.5cm / 15.6"
Stroke range	81cm / 31.9"
Head attachment	Flat base with 4 bolts
Steering handle	Removable steering handle
Pressure adjustment	Air pressure (Standard air pump equipped)
Kick ring	Available (Optional)
Height	68 to 149cm / 26.8 to 58.7"
Weight	26.3kg / 57.9lb



SWIFT JIB

Quick, Compact, and Dynamic

The SWIFT JIB50 is designed with a telescopic arm extendable to 90cm/35.5". In addition, the SWIFT JIB50 offers a quick and easy setup, great portability with the supplied carrying cases, and is the ideal solution when shooting film or video with a small crew.

SWIFT JIB50 KIT

Jib arm	SWIFT JIB50
Tripod	T102B
Dolly	DL-8RB

The SWIFT JIB50 KIT comes with carrying cases for each item.



* Weight sold separately



SWIFT JIB

SWIFT JIB50



1. Padded carrying case
2. SwiftJib
3. 75mm adapter
4. Adjusting weight x 1kg / 2.2lb

Payload	①	20kg / 44lb (Main arm length : 100cm / 39.5")
	②	15kg / 33lb (Main arm length : 145cm / 57")
	③	10kg / 22lb (Main arm length : 190cm / 75")
Main arm length	100 to 190cm / 39.5" to 75"	
Weight	16.4kg / 36.1lb	
Ball diameter	100mm	

Telescopic jib



User-friendly design



WEIGHT30 KIT

Standard weight kit of 30kg / 66lb:
2 sets of 15kg / 33lb weights
(5kg / 11lb x 2,
2.5kg / 5.5lb x 2)



Clamp handle for SWIFT JIB50 HANDLE50

The HANDLE50 can be clamped on the weight bar of the SWIFT JIB50.



Recommended Accessories



REMOTE HEAD

REMO30

Capture Your Imagination from Start to Finish

The REMO30 is a first-class remote head that exceeds expectations. A unique drive system allows every movement to be traced at the ideal speed. The REMO30 is splash proof, meeting IPX2 standards, and it can endure outdoor shoots under severe climate conditions. In addition, the REMO30 is a

universal remote head that can be used with other equipment such as tripods and jib arms you may already own. You can also enhance your experience with a number of optional products such as Libec remote controls and other accessory supports.

Payload	5kg / 11lb
Weight (Pan and tilt head)	4.5kg / 9.9lb
Weight (Control box)	0.7kg / 1.5lb
360°pan / tilt speed	9sec.
Power supply	AC100-240V DC12V

1. Pan and tilt head
2. Control box
3. Adapter plate
4. AC / DC adapter
5. 5m / 16.5' control cable for head, LANC and monitor
6. 5m / 16.5' HDMI cable
7. 1m / 3.3' LANC cable
8. 1m / 3.3' BNC cable
9. BNC to RCA adapter
10. HDMI to Mini HDMI adapter
11. Carrying case



Jib, Remote Head & Tracking Rails

*LANC is a registered trademark of Sony Corporation.

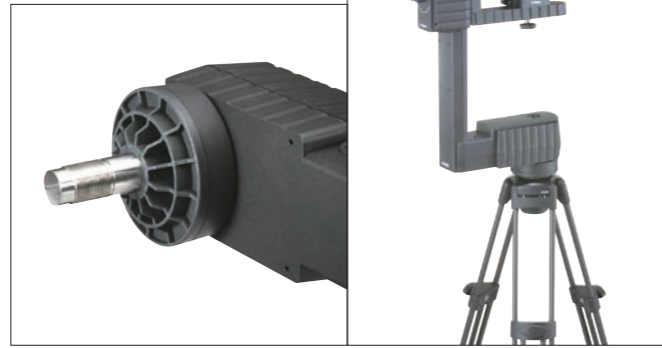
A Perfect, Bird's-eye View

When mounted upside down, you can achieve a complete bird's-eye shot.



Mounts on 75mm/100mm Jib Arms and Tripods

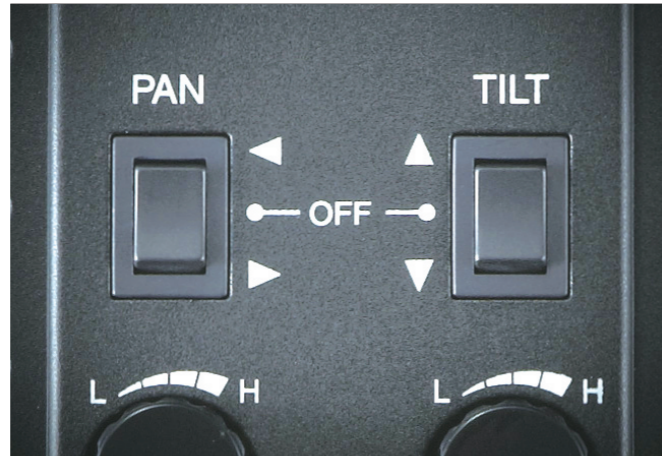
Available for both 75mm and 100mm bowl equipment.



Variable Speed Control



Pan & Tilt Lock System



Battery Powered Operations



Various Cables and Adapters Included



Control cable for head, LANC* and monitor **CABLE500**

Length 5m / 16.5'



Control cable for head, and LANC* **CABLE5000**

Length 50m / 165'

Video signal cable is not included.



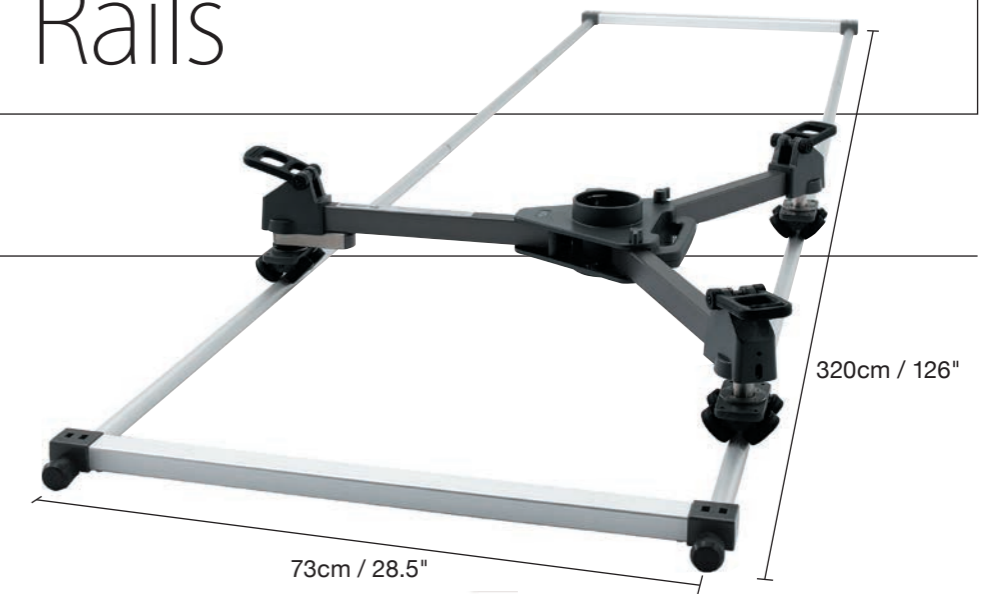
* LANC is a registered trademark of Sony Corporation.

** If the cable length exceeds 30m/99.0', it may cause noticeable noise on the monitor.

Tracking Rails

Tracking rail kit **TR-320**

1. Dolly carrying case
2. Dolly
3. Rail carrying case
4. Rail (80cm / 31.5" pipe x 8)
5. Rail stopper



Smooth and Versatile

The TR-320 professional track rail includes a set of 80cm/31.5" aluminum pipes to construct 320cm/126" of smooth track rail. The dolly is equipped with high-performance bearings that prevent derailing. The TR-320 offers smooth movements along straight or curved rails. With a smart screw-in design, TR-320 pipes can be easily connected. Optional CR-90 curved rail and the EX-160S straight extension rails are also available, offering more versatile shots in most environments.

Straight extension rail **EX-160S**

Extension length	160cm / 63"
Weight	2.3kg / 5.1lb

90 degrees curved rail **CR-90**

The CR-90 is a versatile 90° curved extension rail that can be used with the TR-320 to make 45° or 90° curves.



Outer rail radius	168cm / 66"
Weight	3.5kg / 7.7lb

VP KIT **New**

Adapter of Vinten tripods for Libec TR-320 Tracking rail kit.



List of Vinten tripods tested with VP KIT

Brands	Head / Tripod Systems	Tripods
Vinten	Vision blue	3819-3
	Vision blue3	V3822-0001
	Vision blue5	3766-3
Vinten	Vision 8AS	3821-3
	Vision 10AS	3772-3
	Vision 100	3773-3
		3884-3

Remote Controls

Zoom speed can be adjusted by tilting the Rocker. The Inverted Switch is a new function that changes the zoom direction when the control is attached faced down. The clamp can be attached to round pipes up to 45mm in diameter, wide enough to fit the HFMP Monopod grip.

Zoom & focus control for LANC* video cameras **ZFC-L**

Weight	0.12kg / 0.3lb
Cable length	0.7m / 2.3'

	LANC
Zoom	✓
Focus	✓
REC / STOP	✓
Inverted switch	✓



Zoom control for LANC*/Panasonic video cameras **ZC-LP**

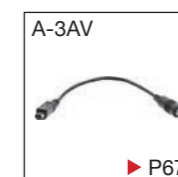
Weight	0.12kg / 0.3lb
Cable length	0.7m / 2.3'

	LANC	Panasonic
Zoom	✓	✓
Focus		
REC / STOP	✓	✓
Inverted switch	✓	✓



* LANC is a registered trademark of SONY corporation.

Recommended Accessories



Remote Controls

Zoom control for Canon and Fujinon 8 Pin lenses

ZC-9Pro

Weight	0.17kg / 0.37lb
Cable length	0.7m / 2.3'



Zoom control for SONY PMW EX cameras

ZC-9EX

Zoom Control for SONY PMW EX cameras. The ZC-9EX can also be used as a ZC-9PRO 8-pin ENG Zoom Control by removing the supplied A-9EX adapter.

Weight	0.2kg / 0.44lb
Cable length	0.7m / 2.3' (main cable) 0.1m / 0.3' (A-9EX)



*Not available for XDCAM EX cameras.

Recommended Accessories



Tripods

150mm
(HEAVY DUTY)



T150B / T150C **New**

	T150B	T150C
Pipe material	Aluminum	Carbon
Payload	100kg / 220.5lb	100kg / 220.5lb
Weight	6.6kg / 14.5lb *	5.6kg / 12.3lb *
Height	58.5 to 163cm 23 to 64" **	58.5 to 163cm 23 to 64" **
Ball diameter	150mm	150mm
Section	2STAGE	2STAGE

Floor spreader for T150B / T150C

SP-15B **New**

Weight	1.2kg / 2.6lb
--------	---------------

Large rubber feet for T102B/T103B/T103C / T150B / T150C

FP-6B

Weight	0.7kg / 1.5lb
--------	---------------

Mid-level spreader for T102B / T103B / T103C / T150B / T150C

BR-6B

Weight	0.3kg / 0.7lb
--------	---------------

100mm
(HEAVY DUTY)



T102B / T103B / T103C

	T102B	T103B	T103C
Pipe material	Aluminum	Aluminum	Carbon
Payload	90kg / 198lb	90kg / 198lb	90kg / 198lb
Weight	5.4kg / 11.9lb *	6.5kg / 14.3lb *	5.4kg / 11.9lb *
Height	69 to 138.5cm 27 to 54.5" **	62 to 174cm 24.5 to 68.5" **	62 to 174cm 24.5 to 68.5" **
Ball diameter	100mm	100mm	100mm
Section	1STAGE	2STAGE	2STAGE

Floor spreader for T102B / T103B / T103C

SP-6B

Weight	1.2kg / 2.6lb
--------	---------------



* The weight excludes spreaders and rubber feet.
** Measured with a floor spreader. The height will differ with a mid-level spreader and rubber feet.
*** Spreaders sold separately.

100mm



RT50B

Outstanding stability and rigidity, with height and portability. Leg joints are equipped with grips for easy transportation.

Pipe material	Aluminum
Payload	35kg / 77lb
Weight	3.1kg / 6.8lb *
Height	47.5 to 158cm / 18.5 to 62" **
Ball diameter	100mm
Section	2STAGE

Floor spreader for RT50B / RT50C
SP-2B

Weight	0.9kg / 2lb
--------	-------------



* The weight excludes spreaders and rubber feet.
** Measured with a floor spreader. The height will differ with a mid-level spreader and rubber feet.
*** Spreaders sold separately.



RT50C Carbon pipe

Outstanding stability rigidity and weight, with height and portability. Leg joints are equipped with grips for easy transportation.

Pipe material	Carbon
Payload	35kg / 77lb
Weight	2.8kg / 6.2lb *
Height	47.5 to 158cm / 18.5 to 62" **
Ball diameter	100mm
Section	2STAGE

Mid-level spreader for RT50B / RT50C
BR-6B

Weight	0.3kg / 0.7lb
--------	---------------



Large rubber feet for RT50B / RT50C
FP-2B

Weight	0.4kg / 0.9lb
--------	---------------



75mm



RT40RB

Remarkable stability and rigidity with height and portability.

Pipe material	Aluminum
Payload	35kg / 77lb
Weight	3.1kg / 6.8lb *
Height	47.5 to 157.5cm / 18.5 to 62" **
Ball diameter	75mm
Section	2STAGE

Floor spreader for RT30B / RT40RB

SP-2B

Weight	0.9kg / 2lb
--------	-------------



* The weight excludes spreaders and rubber feet.
** Measured with a floor spreader. The height will differ with a mid-level spreader and rubber feet.
*** Spreaders sold separately.



RT30B

Lightweight design, yet ensures high stability and rigidity.

Pipe material	Aluminum
Payload	25kg / 55lb
Weight	2.6kg / 5.7lb *
Height	40.5 to 150.5cm / 16 to 59.5" **
Ball diameter	75mm
Section	2STAGE

Mid-level spreader for RT40RB

BR-6B

Weight	0.3kg / 0.7lb
--------	---------------



Mid-level spreader for RT30B

BR-2B

Weight	0.2kg / 0.4lb
--------	---------------



Large rubber feet for RT30B / RT40RB

FP-2B

Weight	0.4kg / 0.9lb
--------	---------------



Tripod cases

RC-10

Internal dimension 93cm / 36.5"



Shoulder strap Double zipper



Side pockets Padded carrying case

RC-30

RC-30 is a portable tripod case that enables quick, easy, and smooth storage. Opens wide and flat for use as a floor mat for your equipment at shooting sites.

Internal dimension 85cm / 33.5"



RC-50

RC-50 is a well-designed tripod case for quick and easy storage with high durability and lightweight portability.

Internal dimension 92.5cm / 36.4"



Padded shoulder strap Side handle



Protector Inner pocket with zipper

The All-round Tripod Case for Easy Transportation

The case is equipped with two wheels and can be pulled along by the side handle grip, which allows easy transportation on foot. Damages are prevented by the soft and hard protectors on all sides of the case which absorb impacts, while the inner strap holds the tripod firmly in place. This all-round tripod case is designed with high rigidity and can be safely transported as a check-in luggage during flights.

List of models storable in the RC-70/RC-80 tripod case

	Model	Transport length	
Vinten	V10AS-AP2F	86.6cm / 34.1"	✓
	V10AS-CP2F	86.6cm / 34.1"	✓
	V100-AP2	85.9cm / 33.8"	✓
	V100-CP2	85.9cm / 33.8"	✓
Sachtler	SYSTEM18 S1 ENG 2	89cm / 35"	✓
	SYSTEM18 S1 ENG 2 CF	89cm / 35"	✓
	SYSTEM20 S1 HD CF	94cm / 37"	✓*
	SYSTEM20 S1 HD MCF	94cm / 37"	✓*
	SYSTEM20 S1 SL HD MCF	94cm / 37"	✓*

* Storable in the RC-70 tripod case, however space may be tight as the tripod system's size is 1cm / 0.4" longer than the internal length of RC-70.

RC-70

Internal dimension 93cm / 36.5"



RC-80

Internal dimension 107cm / 42"



Caster Inner pocket with zipper Handle grip Side handle Inner strap

Accessories

Dolly for TH-X / TH-Z DL-2RB

Weight 2.0kg / 4.4lb



Standard dolly for RT30B / RT40RB / RT50B / RT50C DL-3RB

Weight 3.9kg / 8.6lb



Carrying handle



Available for Vinten and Sachtler video tripods

Versatile length dolly for RT30B / RT40RB / RT50B / RT50C DL-5RB

Weight 4.0kg / 8.8lb

Sliding range 15.5cm / 6.1"



Carrying handle



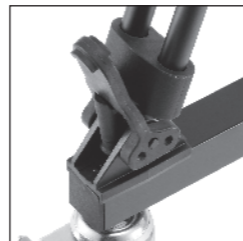
Available for Vinten and Sachtler video tripods

Dolly for T102B / T103B / T103C / T150B / T150C DL-8RB New

Weight 7.3kg / 16.1lb



Carrying handle



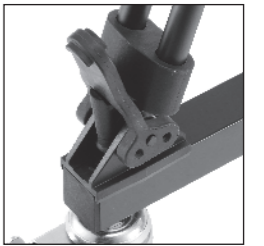
Available for Vinten and Sachtler video tripods

Dolly for T102B / T103B / T103C / T150B / T150C DL-10RB New

Weight 8.6kg / 18.9lb



Carrying handle



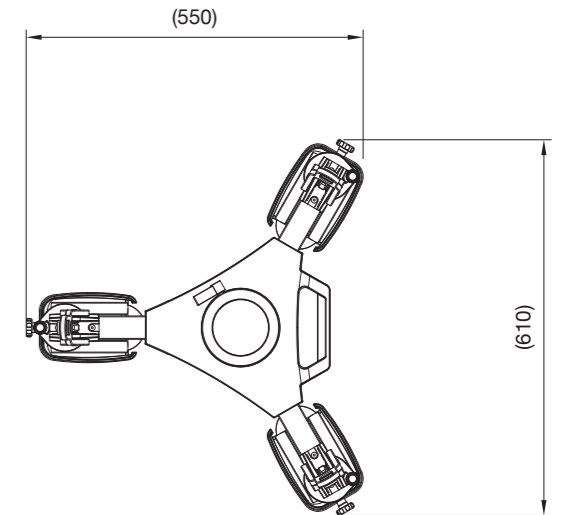
Available for Vinten and Sachtler video tripods

The DL-10RB is equipped with large high performance 125mm/4.9" casters with removable cable guards. The casters has a track lock mechanism which allows users to set and move the dolly in three different modes: Free Mode, Tracking Mode, and Steer Mode. The caster's locking sound is minimal.



Dolly for RT30B / RT40RB / RT50B / RT50C / T102B / T103B / T103C DL-10RB Compact New

Weight 7.8kg / 17.2lb



Extendable pan handle for RH25D / RH35D / RH45D PH-6B



Extendable pan handle for RHP75 / RHP85 / LX10 PH-8B / PH-8B(L)



Extendable pan handle for QH1 / QH3 PH-15B / PH-15B(L) New



AS-7K

Length	261mm / 10.3"
Attachment	1/4" screw
Weight	0.35kg / 0.8lb



A multiple accessory support that supports mounting of LCD monitors and other accessories.



AP-X

Weight	0.3kg / 0.7lb
Sliding range	+/-30mm / 1.2"



AP-X design allows you to detach the quick release plate with your left hand while holding the camera with your right. This one-touch attachment & quick release plate is compatible with select Manfrotto and Sachtler heads.



EX-530DV

Extension zoom cable for LANC* (Sony / Canon) and Panasonic cameras.

Length	5.3m / 17.5'
--------	--------------



A-3AV

Conversion zoom cable for LANC* to Sony AV remote terminal.



A-9EX

Conversion zoom cable for 8pin to Sony PMW-EX cameras.



EX-530Pro

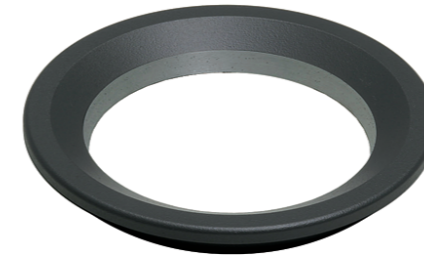
Extension zoom cable for ENG lenses.

Length	5.3m / 17.5'
--------	--------------



AD-75

Adapter of Libec 75mm heads for 100mm bowl tripods.



BL-75R

75mm tripod adapter with bowl clamp.

Weight	0.26kg / 0.6lb
--------	----------------



AD-100V **New**

Adapter of Vinten 100mm heads for Libec 100mm bowl tripods.



Sliding Plate L

Long sliding plate for RHP75 / RHP85 / LX10

Weight	0.2kg / 0.4lb
--------	---------------



BA-100 **New**

Adapter of Libec 100mm heads for P1000 pedestal.

Weight	1.1kg / 2.3lb
--------	---------------



BA-150 **New**

Adapter of Libec 150mm heads for P1000 pedestal.

Weight	1.8kg / 4lb
--------	-------------



KR-15 **New**



This Kick Ring is a convenient optional accessory for the P1000 Pedestal. By pressing on the ring with your foot, the dolly's starting motion is greatly enhanced, resulting in a smoother and easier operability.



* LANC is a registered trademark of SONY corporation.

Specifications

Model	Pedestal	Head	Tripod	Spreader	Case	Dolly	Others	Counterbalance range	Payload	Counterbalance mode	Drag mode	Weight	Height	Ball diameter	Section
-------	----------	------	--------	----------	------	-------	--------	----------------------	---------	---------------------	-----------	--------	--------	---------------	---------

HFMP

HFMP KIT							—		4kg / 9lb	FIX	FIX	2.7kg / 5.9lb	87.5 to 189.5cm / 34.4 to 74.6"	—	2STAGE
-----------------	--	--	--	--	--	--	---	--	-----------	-----	-----	---------------	---------------------------------	---	--------

TH-X

TH-X	—	TH-X H	—	—	RC-10	—	—	—	4kg / 9lb	FIX	FIX	3.1kg / 6.9lb	75.5 to 159cm / 29.7 to 62.6"	65mm	2STAGE
-------------	---	--------	---	---	-------	---	---	---	-----------	-----	-----	---------------	-------------------------------	------	--------

TH-Z

TH-Z	—	TH-Z H	TH-Z T	—	RC-10	—	—	—	5kg / 11lb	FIX	FIX	3.5kg / 7.7lb	71.5 to 161.5cm / 28 to 63.5"	75mm	2STAGE
TH-Z S4 KIT	—	TH-Z H	TH-Z T	—	RC-10	—	ALX S4	—	5kg / 11lb	FIX	FIX	4.9kg / 10.8lb	—	75mm	2STAGE
TH-Z S8 KIT	—	TH-Z H	TH-Z T	—	RC-10	—	ALX S8	—	5kg / 11lb	FIX	FIX	5.3kg / 11.7lb	—	75mm	2STAGE

LX

LX7	—	LX7 Head	RT30B	SP-2B	TC-70	—	—	—	8kg / 17.5lb	FIX	FIX	5.5kg / 12.1lb	56 to 166cm / 22 to 65.5"	75mm	2STAGE
LX7 M	—	LX7 Head	RT30B	BR-2B / FP-2B	TC-70	—	—	—	8kg / 17.5lb	FIX	FIX	5.2kg / 11.4lb	81 to 165.5cm / 32 to 65"	75mm	2STAGE
LX10	—	LX10 Head	RT50B	SP-2B	RC-50	—	—	—	16kg / 35lb	FIX	2STEP	7.6kg / 16.7lb	63 to 173.5cm / 25 to 68.5"	100mm	2STAGE
LX10 M	—	LX10 Head	RT50B	BR-6B / FP-2B	RC-50	—	—	—	16kg / 35lb	FIX	2STEP	7.4kg / 16.3lb	83 to 171.5cm / 32.5 to 67.5"	100mm	2STAGE
LX10 Studio	—	LX10 Head	RT50B	—	—	DL-3RB	PH-8B(L)	—	16kg / 35lb	FIX	2STEP	10.6kg / 23.3lb	91.5 to 187cm / 36 to 73.5"	100mm	2STAGE

RS

RS-250D	—	RH25D	RT30B	SP-2B	RC-30	—	—	1.8 to 5kg / 4 to 11lb	6kg / 13lb	Continuous	2STEP	6kg / 13.2lb	55 to 165cm / 21.5 to 65"	75mm	2STAGE
RS-250DM	—	RH25D	RT30B	BR-2B / FP-2B	RC-30	—	—	1.8 to 5kg / 4 to 11lb	6kg / 13lb	Continuous	2STEP	5.7kg / 12.5lb	80 to 164.5cm / 31.5 to 65"	75mm	2STAGE
RS-350D	—	RH35D	RT30B	SP-2B	RC-30	—	—	3 to 7.5kg / 6.5 to 16.5lb	9kg / 20lb	Continuous	Free plus 3STEP	6.2kg / 13.6lb	56 to 166cm / 22 to 65.5"	75mm	2STAGE
RS-350DM	—	RH35D	RT30B	BR-2B / FP-2B	RC-30	—	—	3 to 7.5kg / 6.5 to 16.5lb	9kg / 20lb	Continuous	Free plus 3STEP	5.9kg / 13lb	81 to 165.5cm / 32 to 65"	75mm	2STAGE
RS-450D	—	RH45D	RT40RB	SP-2B	RC-50	—	—	4.5 to 10.5kg / 10 to 23lb	12kg / 26.5lb	Continuous	Free plus 3STEP	6.7kg / 14.7lb	63 to 173cm / 25 to 68"	75mm	2STAGE
RS-450DM	—	RH45D	RT40RB	BR-6B / FP-2B	RC-50	—	—	4.5 to 10.5kg / 10 to 23lb	12kg / 26.5lb	Continuous	Free plus 3STEP	6.5kg / 14.3lb	82.5 to 171cm / 32.5 to 67.5"	75mm	2STAGE

RS PLUS

RSP-750	—	RHP75	RT50B	SP-2B	RC-70	—	—	5.5 to 14kg / 12 to 31lb	17kg / 37.5lb	Continuous	7STEP	8kg / 17.6lb	65 to 175.5cm / 25.5 to 69"	100mm	2STAGE
RSP-750M	—	RHP75	RT50B	BR-6B / FP-2B	RC-70	—	—	5.5 to 14kg / 12 to 31lb	17kg / 37.5lb	Continuous	7STEP	7.8kg / 17.2lb	85 to 173.5cm / 33.5 to 68.5"	100mm	2STAGE
RSP-750C	—	RHP75	RT50C	SP-2B	RC-70	—	—	5.5 to 14kg / 12 to 31lb	17kg / 37.5lb	Continuous	7STEP	7.7kg / 16.9lb	65 to 175.5cm / 25.5 to 69"	100mm	2STAGE
RSP-750MC	—	RHP75	RT50C	BR-6B / FP-2B	RC-70	—	—	5.5 to 14kg / 12 to 31lb	17kg / 37.5lb	Continuous	7STEP	7.5kg / 16.5lb	85 to 173.5cm / 33.5 to 68.5"	100mm	2STAGE
RSP-850	—	RHP85	T103B	SP-6B	RC-80	—	Sliding Plate L	9 to 20kg / 20 to 44lb	25kg / 55lb	Continuous	7STEP	11.8kg / 26lb	79.5 to 191.5cm / 31.5 to 75.5"	100mm	2STAGE
RSP-850M	—	RHP85	T103B	BR-6B / FP-6B	RC-80	—	Sliding Plate L	9 to 20kg / 20 to 44lb	25kg / 55lb	Continuous	7STEP	11.6kg / 25.5lb	95.5 to 189.5cm / 37.5 to 74.5"	100mm	2STAGE

QD

QD-10	—	QH1	T150B	SP-15B	—	—	BL-150	15 to 35kg / 33 to 77lb	40kg / 88lb	Continuous	7STEP	21.6kg / 47.5lb	82 to 186.5cm / 32.5 to 73.5"	150mm	2STAGE
QD-10M	—	QH1	T150B	BR-6B / FP-6B	—	—	BL-150	15 to 35kg / 33 to 77lb	40kg / 88lb	Continuous	7STEP	21.4kg / 47.1lb	97.5 to 186cm / 38.5 to 73"	150mm	2STAGE
QD-30	—	QH3	T150B	SP-15B	—	—	BL-150	28 to 65kg / 61.6 to 143lb	69kg / 151.8lb	Continuous	7STEP	21.6kg / 47.5lb	82 to 186.5cm / 32.5 to 73.5"	150mm	2STAGE
QD-30M	—	QH3	T150B	BR-6B / FP-6B	—	—	BL-150	28 to 65kg / 61.6 to 143lb	69kg / 151.8lb	Continuous	7STEP	21.4kg / 47.1lb	97.5 to 186cm / 38.5 to 73"	150mm	2STAGE

Pedestal Systems

RSP-750PD(B)	P110B	RHP75	—	—	—	DL-8RB	PH-8B(L)	5.5 to 14kg / 12 to 31lb	17kg / 37.5lb	Continuous	7STEP	20.8kg / 45.8lb	101 to 176cm / 40 to 69.5"	100mm	2STAGE
RSP-750PD(S)	P110S	RHP75	—	—	—	DL-10RB	PH-8B(L)	5.5 to 14kg / 12 to 31lb	17kg / 37.5lb	Continuous	7STEP	22.1kg / 48.6lb	99.5 to 174.5cm / 39 to 68.5"	100mm	2STAGE
RSP-850PD(B)	P110B	RHP85	—	—	—	DL-8RB	PH-8B(L) / Sliding Plate L	9 to 20kg / 20 to 44lb	25kg / 55lb	Continuous	7STEP	20.9kg / 46lb	101 to 176cm / 40 to 69.5"	100mm	2STAGE
RSP-850PD(S)	P110S	RHP85	—	—	—	DL-10RB	PH-8B(L) / Sliding Plate L	9 to 20kg / 20 to 44lb	25kg / 55lb	Continuous	7STEP	22.2kg / 48.8lb	99.5 to 174.5cm / 39 to 68.5"	100mm	2STAGE
QD-10PD	P1000	QH1	—	—	—	DL-15B	BL-150	15 to 35kg / 33 to 77lb	40kg / 88lb	Continuous	7STEP	39kg / 85.8lb	91.5 to 173cm / 36 to 68"	Flat	2STAGE
QD-30PD	P1000	QH3	—	—	—	DL-15B	BL-150	28 to 65kg / 61.6 to 143lb	47kg / 103.4lb	Continuous	7STEP	39kg / 85.8lb	91.5 to 173cm / 36 to 68"	Flat	2STAGE