

aktiv6, 8, 8T, 10 Fluid Head

aktiv6, aktiv8, aktiv8T, aktiv10 Fluid Head

aktiv6

aktiv8

aktiv10



Copyright © 2020

All rights reserved.

Original Instructions: English

All rights reserved throughout the world. No part of this publication may be stored in a retrieval system, transmitted, copied or reproduced in any way, including, but not limited to, photocopy, photograph, magnetic or other record without the prior agreement and permission in writing of the Vitec Group Plc.

Disclaimer

The information contained in this publication is believed to be correct at the time of printing. Vitec Production Solutions Ltd reserves the right to make changes to the information or specifications without obligation to notify any person of such revision or changes. Changes will be incorporated in new versions of the publication.

We are making every effort to ensure that our publications are updated on a regular basis to reflect changes to product specifications and features. Should this publication not contain information on the core functionality of your product, please let us know. You may be able to access the latest revision of this publication from our website.

Vitec Production Solutions Ltd reserves the right to make changes to product design and functionality without notification.

Trademarks

All product trademarks and registered trademarks are the property of The Vitec Group Plc.

All other trademarks and registered trademarks are the property of their respective companies.

Published by:

Vitec Production Solutions Ltd

Email: technical.publications@vitecgroup.com

Safety	2	Mounting, Dismounting the Camera (Touch and Go)	16
About this Guide	4	Mounting, Dismounting the Camera (Sideload)	18
Intended Use	4	Fitting the Pan Bar	20
About this User Guide	4	Adjusting the Pan Bar	20
Warranty	4	Configuring the Pan Bar	21
Extended Warranty	4	Balancing the Payload	22
Serial Number Location	4	Adjusting the Centre of Gravity (C of G)	22
Box Contents	5	Additional C of G Adjustments	24
Optional SpeedSwap Accessories	6	Adjusting the Counterbalance	24
Operating Elements	8	Adjusting the Drags	26
Left View	8	Transportation Head Settings	27
Right View	9	Transporting with the Pan Bar	27
PrismBubble	10	Maintenance	28
1st Time Installation	11	Technical Specification	29
Fitting Bowl Connector For The 1st Time	11	General Notices	30
Mounting Head and Setting Connector Tension .	12		
Operation	14		
Attaching, Levelling, Removing Head	14		
Dismounting the Fluid Head	14		

Safety

Important information on the safe installation and operation of this product. Read this information before operating the product. For your personal safety, read these instructions.

Do not operate the product if you do not understand how to use it safely.

Save these instructions for future reference.

Warning Symbols Used in these Instructions

Safety cautions are included in these instructions. These safety instructions must be followed to avoid possible personal injury and avoid possible damage to the product.



WARNING!

Where there is a risk of personal injury or injury to others, comments appear supported by the word **'WARNING'**.



CAUTION!

Where there is a risk of damage to the product, associated equipment, process or surroundings, comments appear supported by the word **'CAUTION'**.



Refer to the product instruction manual.



WARNING!

Pinch point, injury to fingers or hands, exercise caution.

Health and Safety



WARNING! Risk of personal injury or injury to others. All personnel must be fully trained and adhere to correct manual handling techniques and Health & Safety regulations. It is the responsibility of the local organisation to enforce safe working practices at all times.

Mounting and Installation



Risk of finger entrapment. When removing the head from the tripod, take care the SpeedLevel Lever does not snap closed on fingers .



WARNING! Risk of finger entrapment. Do not place fingers between the platform and the body of the fluid head



WARNING! Do not fit a head to a tripod that cannot support the combined mass of the head and its full payload.



WARNING! Avoid unintentionally lifting the SpeedLevel Lever above the detent as the head will be released suddenly from the tripod.



CAUTION! Always lock the horizontal and vertical brakes when the camera is mounted but not in use or when leveling the fluid head on the tripod.



CAUTION! Hold the camera securely when mounting or dismounting from the fluid head and when making adjustments to the tripod height or footprint.



CAUTION! Always hold the pan bar when making adjustments to the counterbalance or camera position. **Do not** use the pan bar to lift or move the tripod and fluid head.



CAUTION! Do not attach heavy items to the pan bar.



CAUTION! Always remove the camera before transporting.

Maintenance



WARNING! The fitting of non-approved parts and or accessories or servicing by non-approved personnel could effect the safety of the product. It may also invalidate the terms and conditions of the product warranty.



CAUTION! When replacing the battery, only use the same or an equivalent type of battery recommended for use with this product.

About this Guide

Intended Use

The Sachtler aktiv fluid head has been developed to enable smooth pan and tilt movement giving the operator total image control through a wide range of angles.

About this User Guide

This user guide has been produced to instruct the user on the correct set-up, operation and maintenance of the fluid head.

Warranty

This product is covered by a one year warranty.

The warranty will be invalidated if:

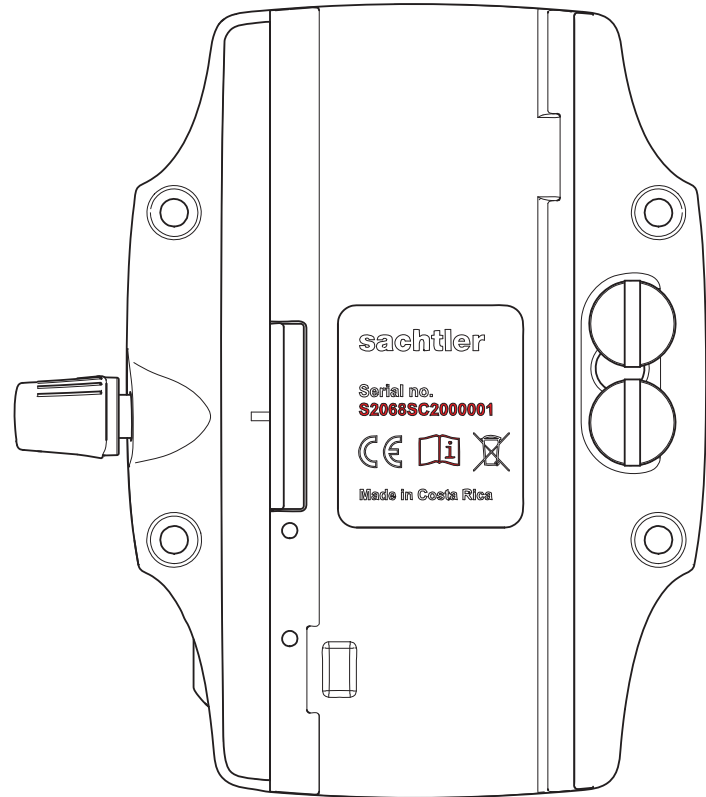
- The head is improperly installed or used in a manner contrary to this user guide.
- The head housing is opened by unauthorised personnel.

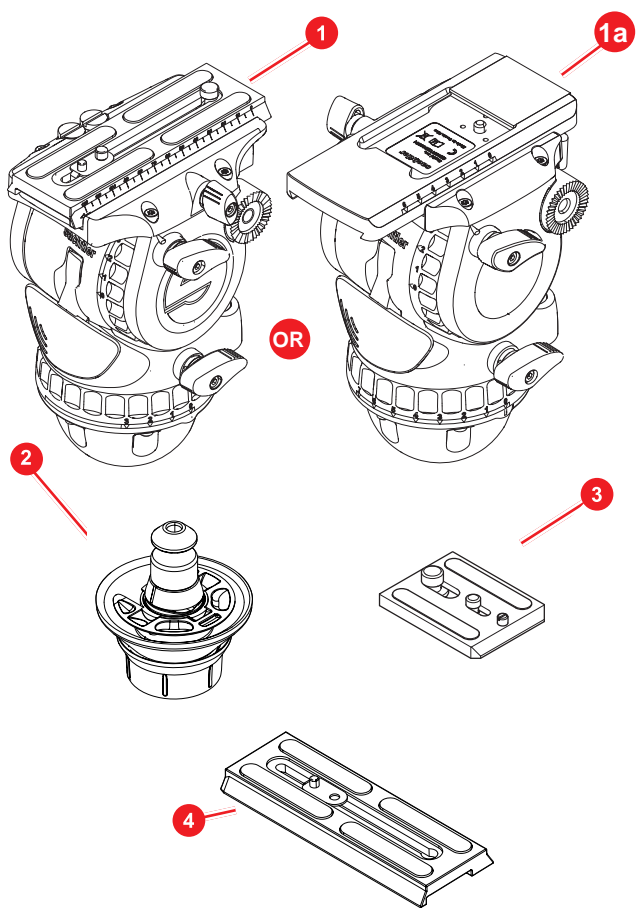
Extended Warranty

Please register at www.sachtler.com for an extended warranty period.

Serial Number Location

Located under the camera plate on both Touch and Go and Sideload cradles.

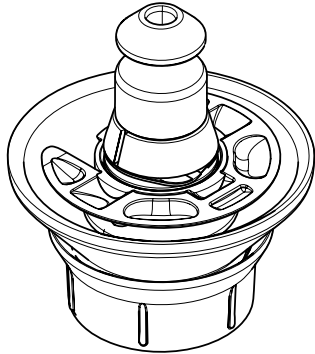




Item	Description	Part No
1	aktiv6 fluid head (Sideload)	S2064S
	aktiv8 fluid head (Sideload)	S2068S
	aktiv10 fluid head (Sideload)	S2072S
1a	aktiv8T fluid head (touch & Go)	S2068T
2	aktiv75 bowl connector	S2080-0001
	aktiv100 bowl connector	S2080-0002
3	Touch & Go camera plate S	0364
4	Sideload camera plate S	0164
5	Pan bar plus right	0992SP
6	User guide	S2068-4980

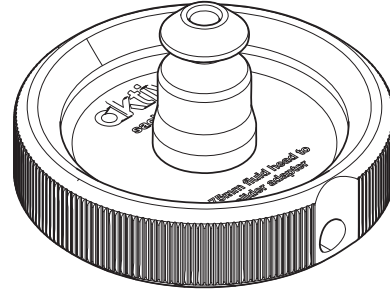
Optional SpeedSwap Accessories

S2080-0001



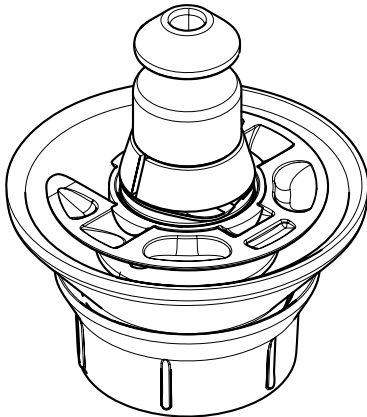
aktiv bowl connector 75 mm

S2080-0003



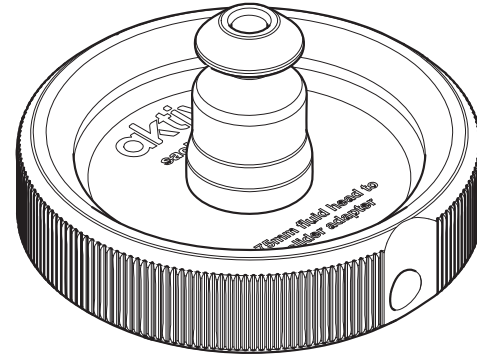
Adaptor aktiv head / slider 75 mm

S2080-0002



aktiv bowl connector 100 mm

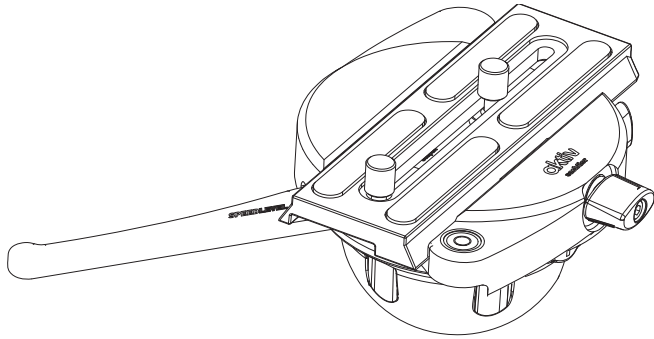
S2080-0004



Adaptor aktiv head / slider 100 mm

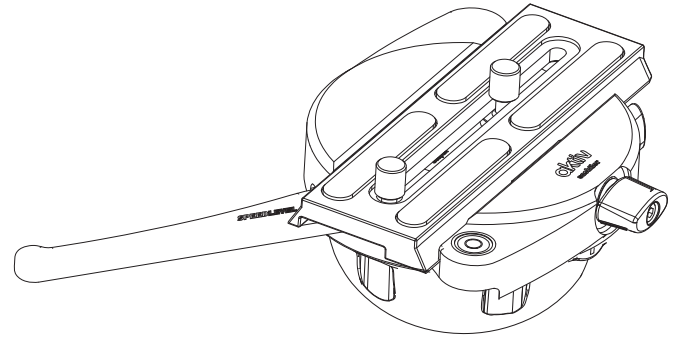
Optional SpeedSwap Accessories

S2080-0005



Adaptor aktiv slider / tripod 75 mm

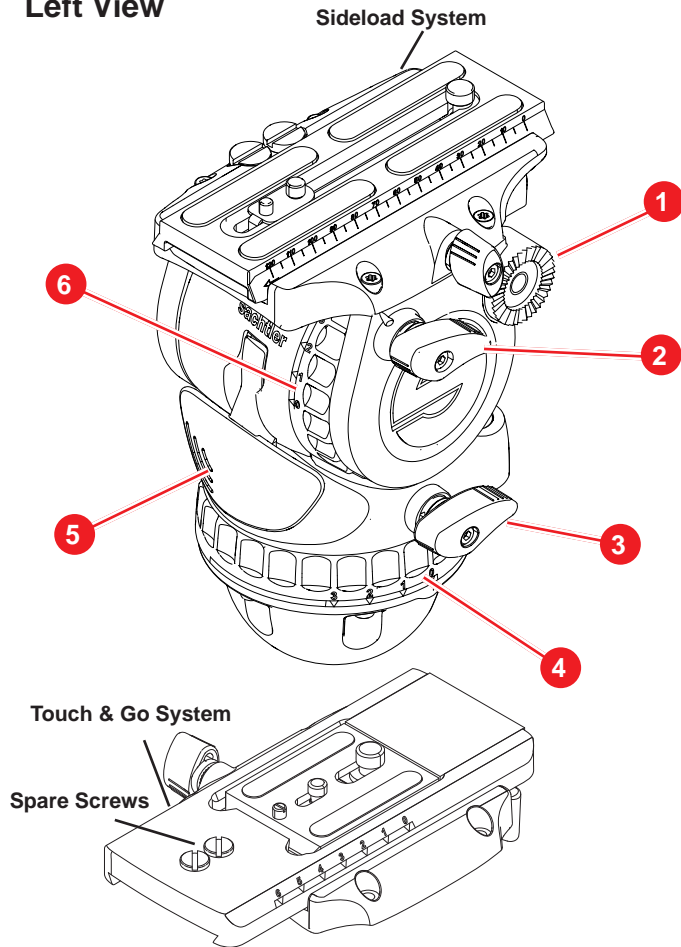
S2080-0006



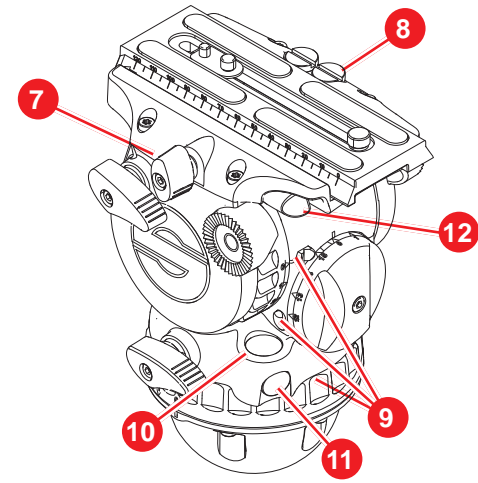
Adaptor aktiv slider / tripod 100 mm

Operating Elements

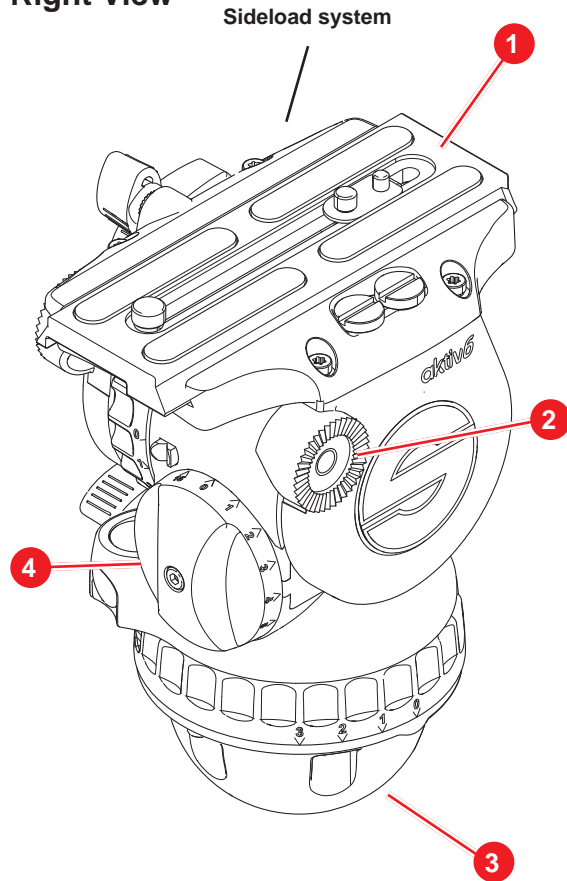
Left View



1	Rosette for left pan bar
2	Vertical brake
3	Horizontal brake
4	Horizontal drag control
5	SpeedLevel Lever
6	Vertical drag control
7	Sideload plate lock
8	Spare camera screws
9	Illumination for drag and counterbalance
10	Illumination on / off switch
11	PrismBubble plus on / off switch
12	Sideload system safety lock

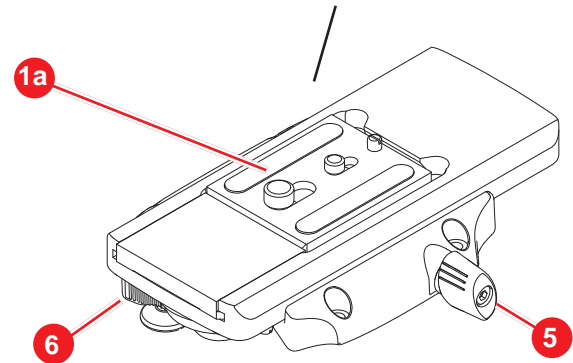


Right View



1	Sideload camera plate
1a	Touch & Go camera plate
2	Rosette for right pan bar
3	75mm bowl
4	Counterbalance control
5	Balance plate clamp knob
6	Touch & Go system safety lock

Touch & Go System



Operating Elements

PrismBubble

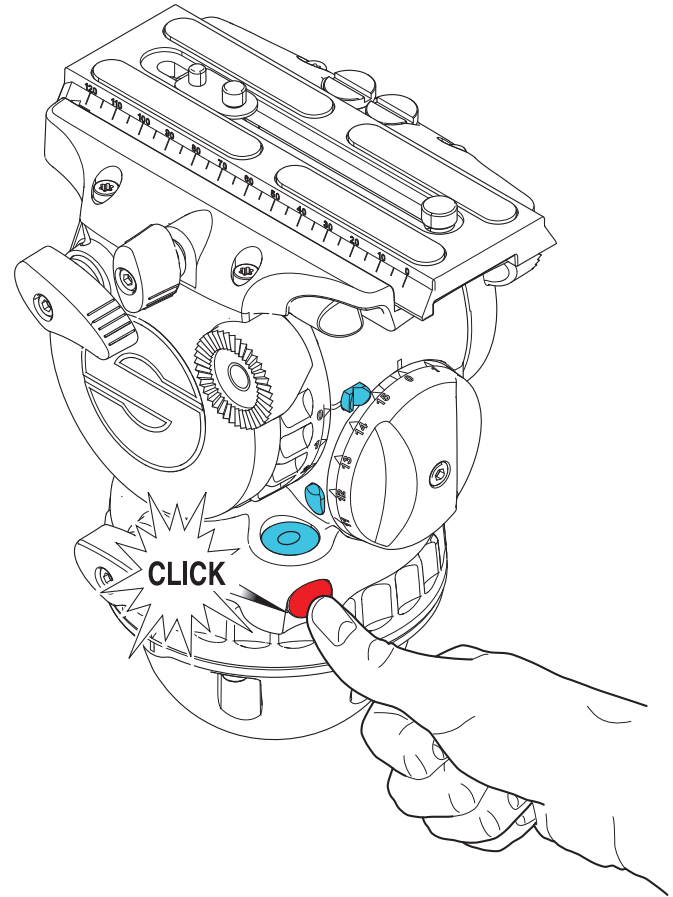
The fluid head is fitted with an illuminating bubble level which allows easy levelling in poor lighting conditions.

The head also features a prism to view the bubble when the head is too high to view from above. This Prism also incorporates the On / Off switch.

In addition the PrismBubble may be lit on its own or with the control LED's to enable setup up in low light conditions.

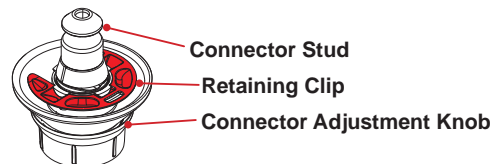
The illumination will be activated by pushing the bubble prism window.

1. Pressing the window briefly will turn on the level bubble LED for approx. $10s \pm 1s$.
2. Pressing and holding the window for $>1s$ will turn on the level bubble LED and all control LED's for $20s \pm 2s$.
3. Pressing the window again when any of the illuminations are on, will turn every LED off.

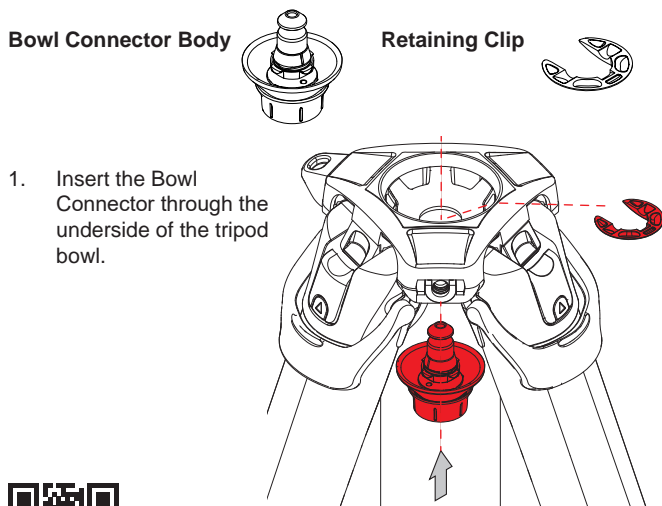


Fitting Bowl Connector For The 1st Time

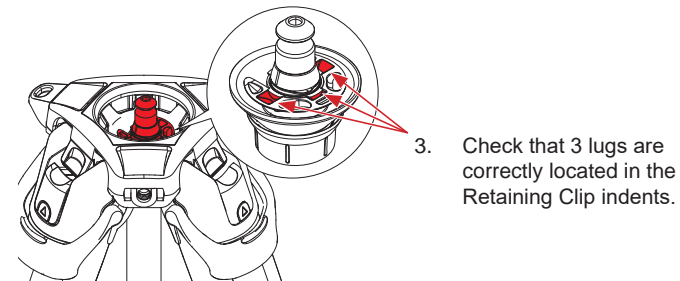
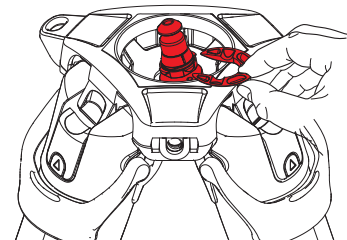
Note! Fitting and adjusting the Bowl Connector to the tripod is a one time effort, once set, it is left on the tripod and remains ready without further adjustment required.



The Bowl Connector comes in 2 parts:



2. Holding the Bowl Connector in place with one hand, slide the Retaining Clip under 3 of the 4 positioning lugs on the Bowl Connector and snap into place.



Removing the Bowl Connector

Should there be a need to remove the Bowl Connector, lift the SpeedLevel lever and remove the head from the tripod.

1. Slide the Bowl Connector to one side from under the tripod.
2. Hold the retaining clip.
3. Slide the Bowl Connector from the retaining clip.

Note! The Bowl Clamp may require loosening to remove the clip, turn the adjustment knob anti-clockwise in small increments until the Bowl connector can be removed from the Retaining Clip.

Note! Take care not to completely unscrew the Adjustment Knob from the Connector Stud.

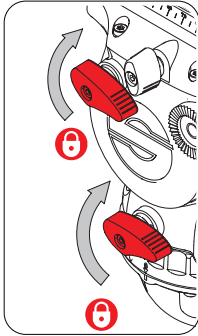


Scan the QR Code to see installation video or type into browser:
<https://www.sachtler.com/en/product-support/aktiv-installation/>

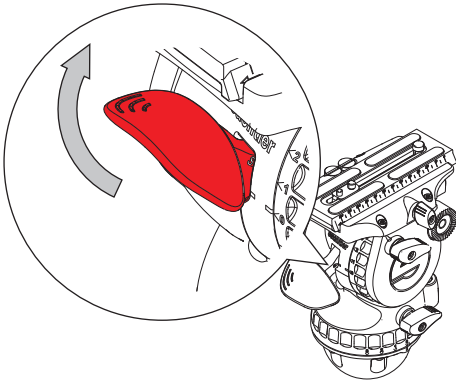
1st Time Installation

Mounting the Head and Setting Connector Tension

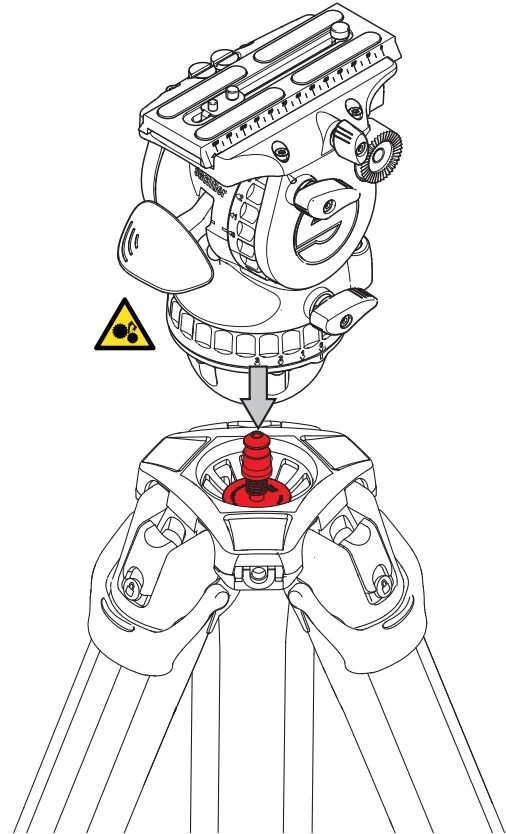
1. Apply the horizontal and vertical brakes and hold the head firmly with one hand.



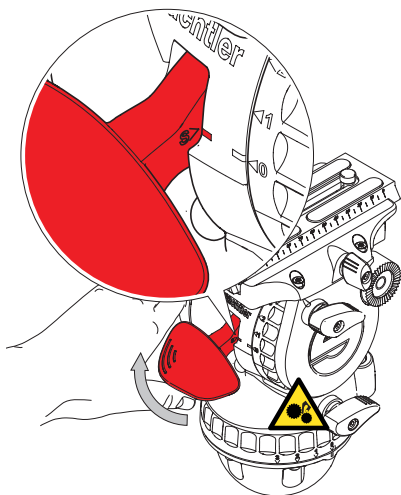
2. Lift the SpeedLevel Lever as shown all the way to the top.



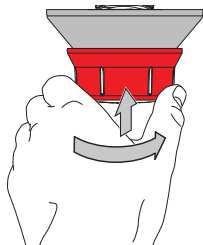
3. Lower the head onto the Bowl Connector and lower the SpeedLevel Lever.



4. To set the connector tension, raise the tripod so the head is at eye level.
5. Lift the SpeedLevel Lever on the head and hold with "S triangle" aligned to the mark on the body.



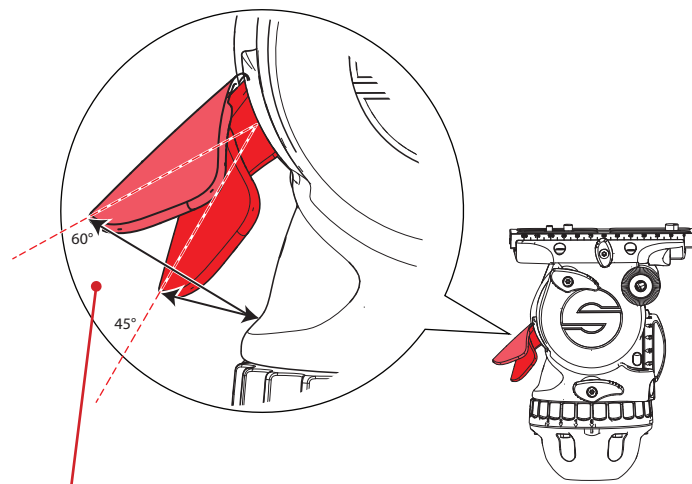
6. Firmly, finger tighten the Bowl Connector by pressing up and turning clockwise to remove all clearance.



The tension is correct when the SpeedLevel Lever is released and falls between approximately 60° and 45° (30 mm to 50 mm (1" - 2")) from the body of the head as shown in the diagram below.

If the lever falls back against the body the Bowl Connector is too loose, repeat steps 5 and 6.

CAUTION! Try and lift the head to ensure the head is fully secured to the tripod.



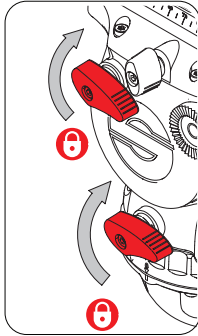
Approximately 45° to 60° from the body
(30 mm to 50 mm (1 in to 2 in)) from the body.

CAUTION! Push the SpeedLevel Lever fully closed against the head body before use.

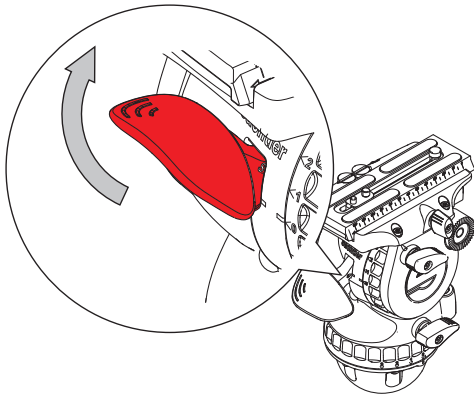
Attaching, Levelling and Dismounting the Fluid Head From the Tripod

Attach Head to Tripod

1. As on page 12 apply the brakes.



2. Lift the SpeedLevel Lever as shown all the way to the top.



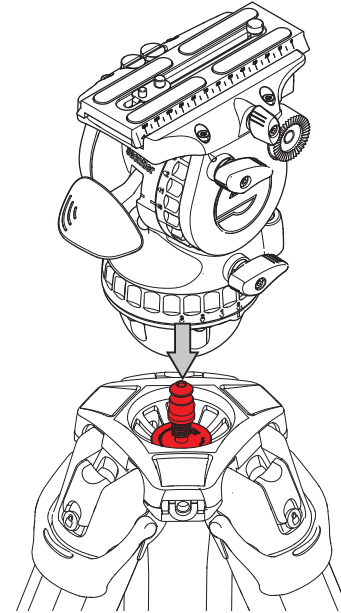
3. Lower the head onto the Bowl Connector and release the SpeedLevel lever.

CAUTION! Push the SpeedLevel Lever fully closed against the head body before use.



WARNING!

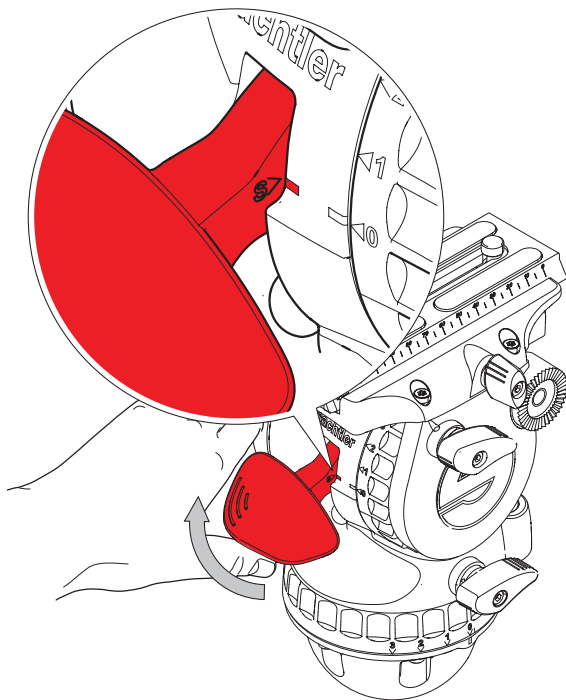
Pinch point, injury to fingers or hands, exercise caution.



CAUTION! Try and lift the head to ensure the head is fully secured to the tripod.

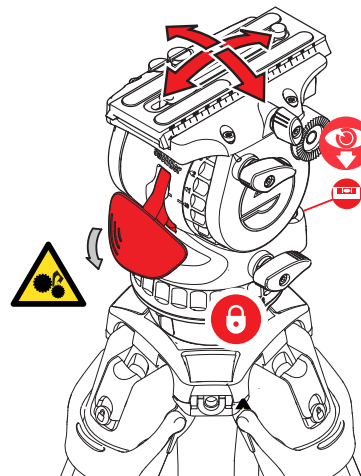
Levelling the Fluid Head

1. To level the head lift the SpeedLevel Lever until the head is free (do not lift above the detent position, this will ensure the head remains latched to the Bowl Connector).



2. View the bubble from above, or through the horizontal prism window (in poor light conditions operate the illumination for a better view).
3. When level, lower the SpeedLevel Lever. Check level and re-adjust if required.

CAUTION! Push the SpeedLevel Lever fully closed against the head body before use.



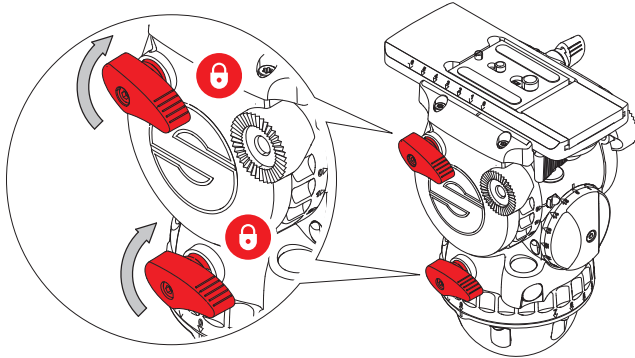
Dismounting the Fluid Head

To release the head from the tripod, lift the SpeedLevel Lever to the top and lift the head away from the tripod.

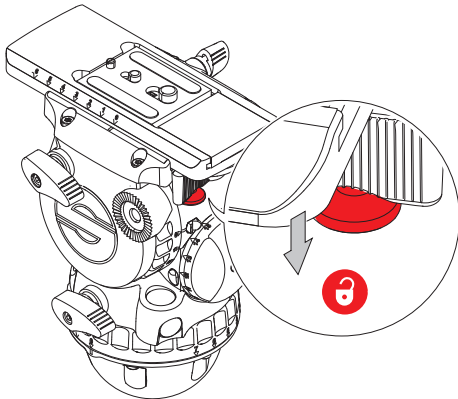
With the head removed carefully lower the SpeedLevel Lever.

Mounting and Dismounting the Camera (Touch and Go)

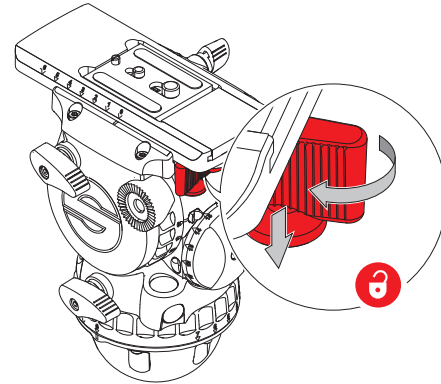
1. Apply the horizontal and vertical brakes.



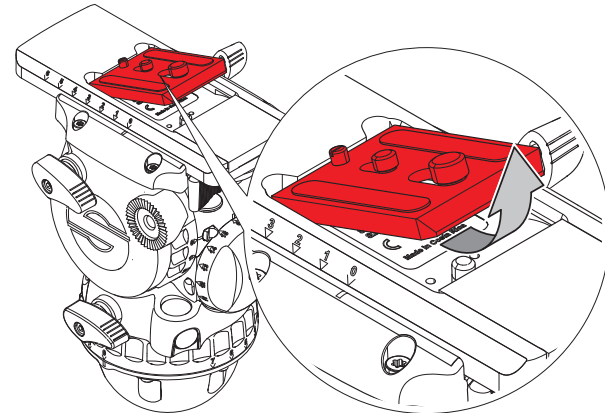
2. Hold the camera plate or camera with one hand. Grasp the locking lever with your thumb and index finger and pull down the safety button.



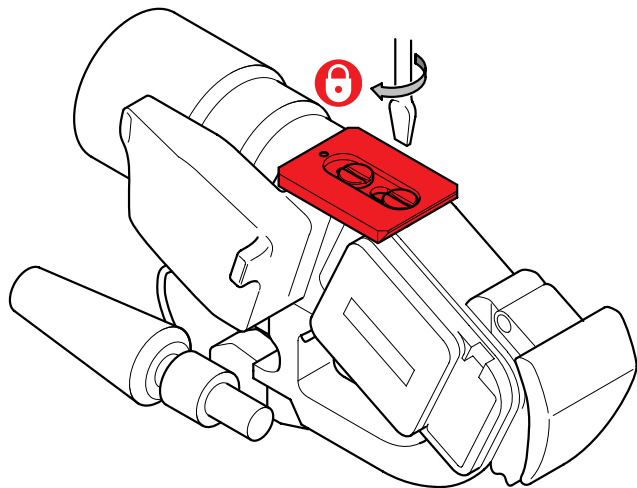
3. With the safety button held down, move the locking lever as far as possible to the left.



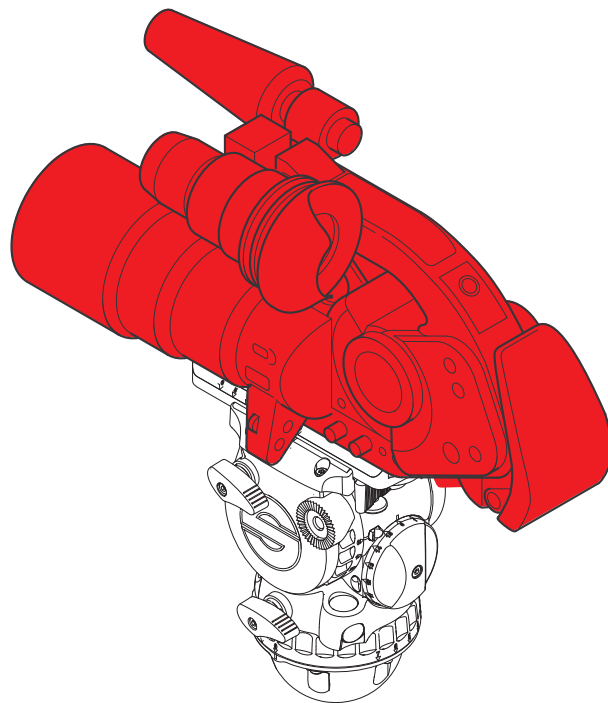
4. The camera plate or camera will be released from the sliding balance plate.



5. Attach the camera plate to the camera around its centre of gravity. .



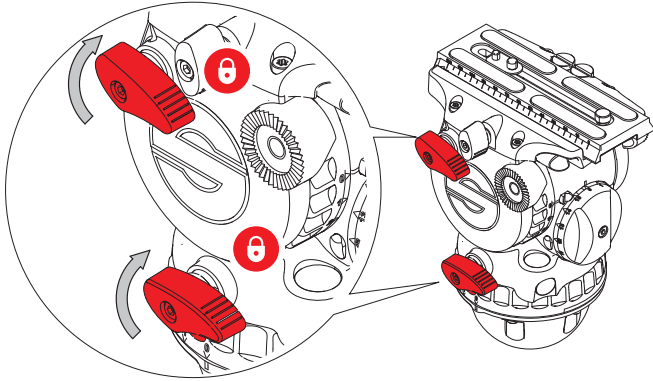
6. Mount the camera plate and camera onto the sliding balance plate. It will lock automatically and the lock lever will click audibly back into its initial position.



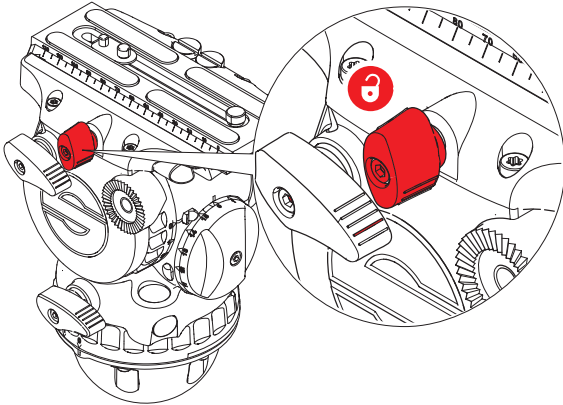
Operation

Mounting and Dismounting the Camera (Sideload)

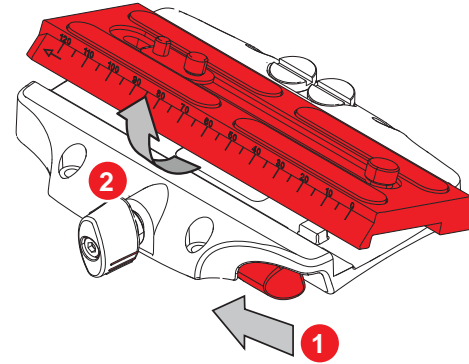
1. Apply the horizontal and vertical brakes.



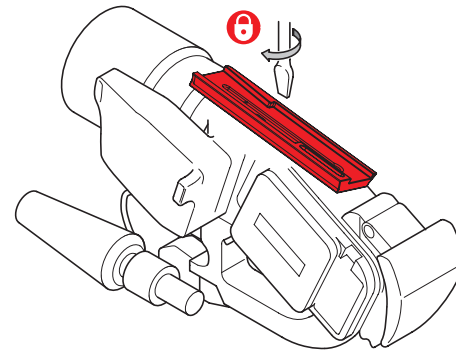
2. Release the clamp knob.



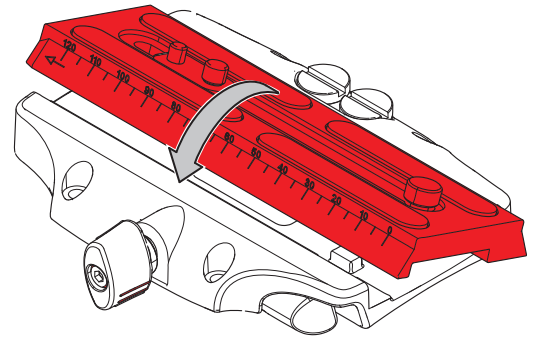
3. Push the safety lock (1) and release the plate (2).



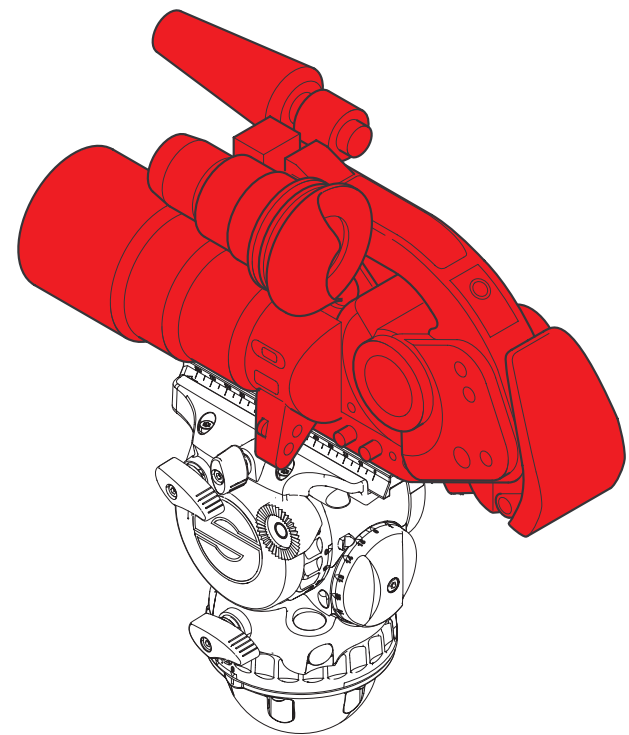
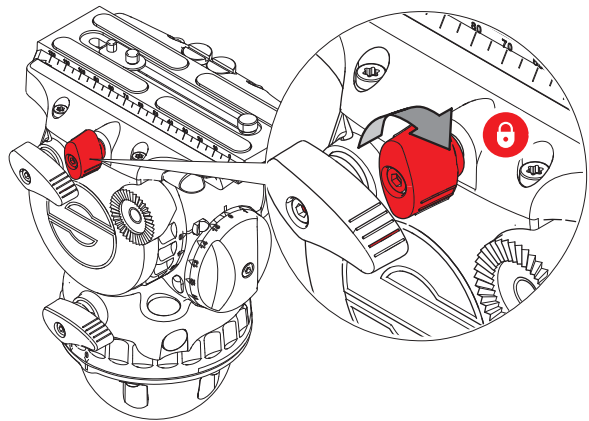
4. Attach the camera plate to the camera around its centre of gravity, observe the arrow on the plate indicating the direction of the arrow. Additional screws are stored in the sliding balance plate assembly.



5. Place the camera plate into the dovetail and lower into place. It will lock automatically and the lock lever will click audibly back into its initial position.



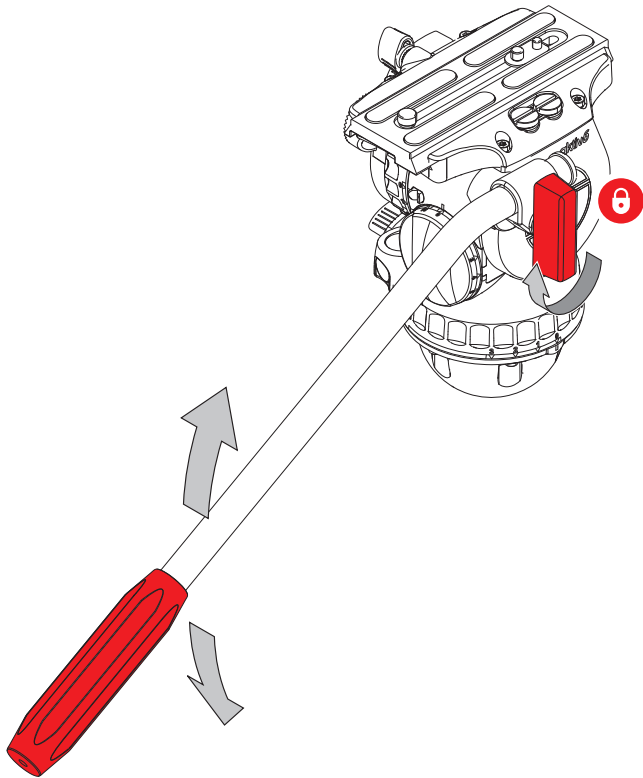
6. Firmly lock the plate in position after the balance procedure using the clamp knob.



Operation

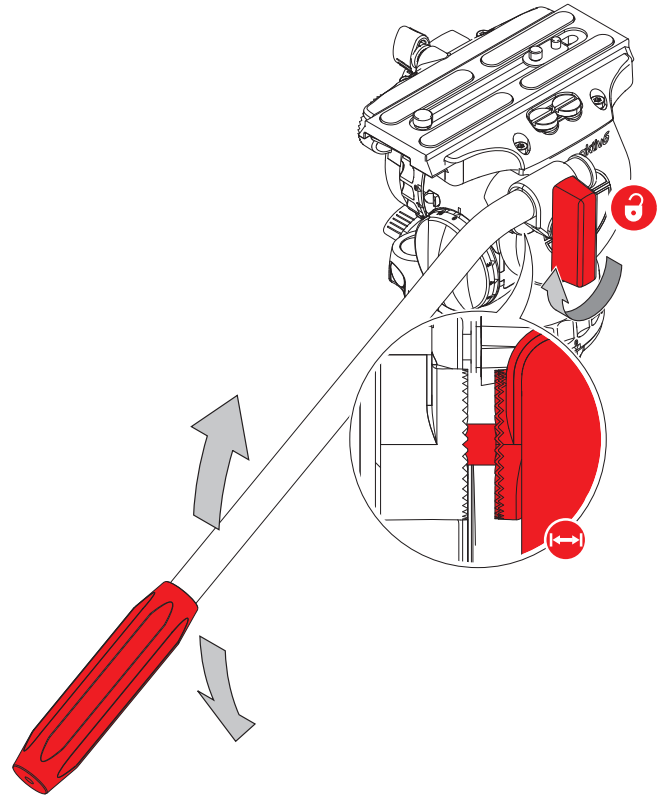
Fitting the Pan Bar

Fit and adjust the pan bar to the desired position, tighten the clamping screw ensuring the teeth mesh fully.



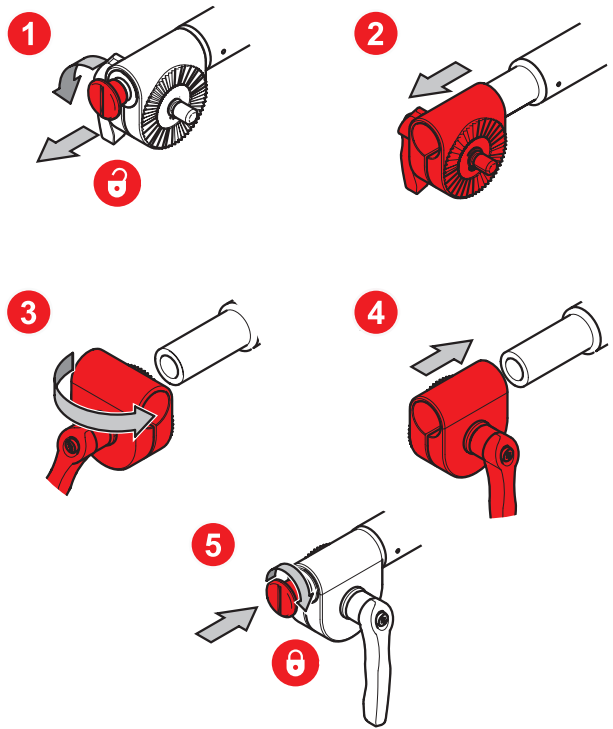
Adjusting the Pan Bar

To adjust the position of the pan bar, loosen the clamping screw sufficiently to allow the rosettes to rotate without fowling.



Configuring the Pan Bar

As standard, the pan bar is configured to mount on the right hand side of the fluid head. The pan bar can be configured for left hand mounting, as follows:



Operation

Balancing the Payload

Before operating the fluid head, the payload (camera, lens and any other fitted accessories) must be correctly balanced to ensure safe and reliable operation.

WARNING! When balancing the payload, it is important to be aware of the potential danger that an unbalanced payload will fall away suddenly. Maintain a firm hold on the payload until the balance is set correctly.


WARNING! Risk of finger entrapment. **Do not** place fingers between the platform and the body of the fluid head.

CAUTION! Always hold the pan bar when making adjustments to the counterbalance or camera position.

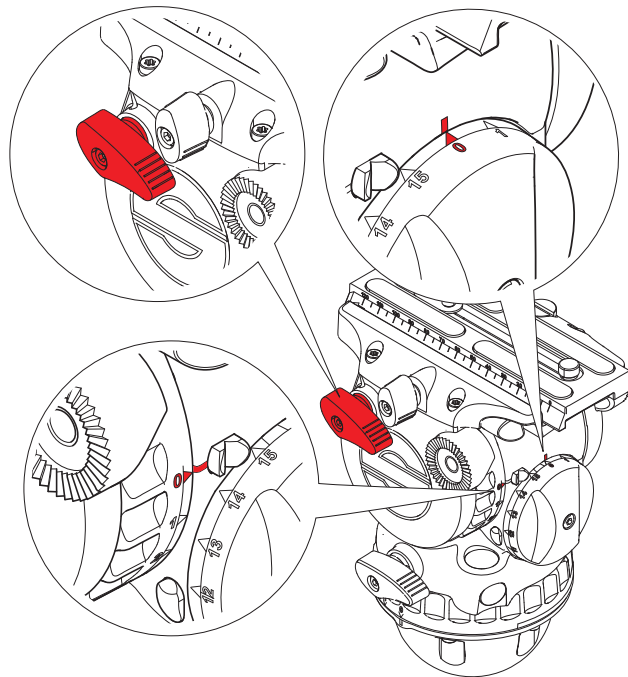
CAUTION! The camera, pan bars and all accessories must be fitted in their operational position before balancing the head. Any equipment fitted or adjusted later can unbalance the fluid head.

Adjusting the Centre of Gravity (C of G)

Before adjusting the counterbalance, the centre of gravity (C of G) of the payload must be centred precisely over the axis of the fluid head.

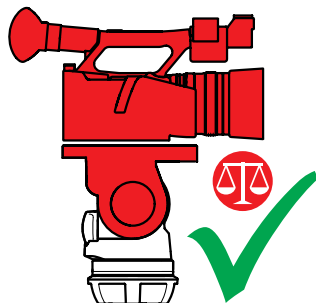
 Ensure that the fluid head is level before adjusting the centre of gravity. See page 14.

1. Apply the vertical brake and adjust the vertical setting of the fluid drag to "0". Set the counterbalance adjustment knob to "0".



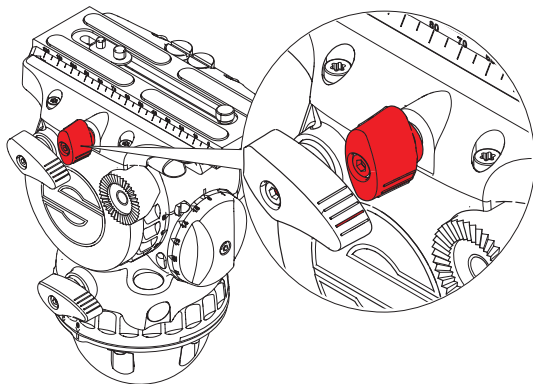
Counterbalance Adjustment

2. If the platform stops in a horizontal position (camera pointing directly forward) or falls away evenly in either direction, the balance is correct. Hold the pan bar firmly, disengage the vertical brake. Observe how the payload moves and where it stops.

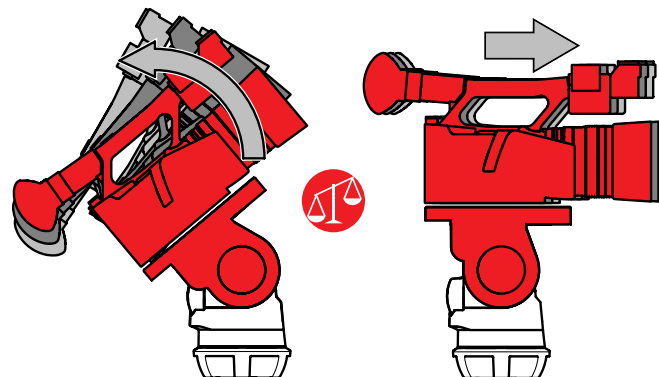


3. If the payload falls away in either direction:

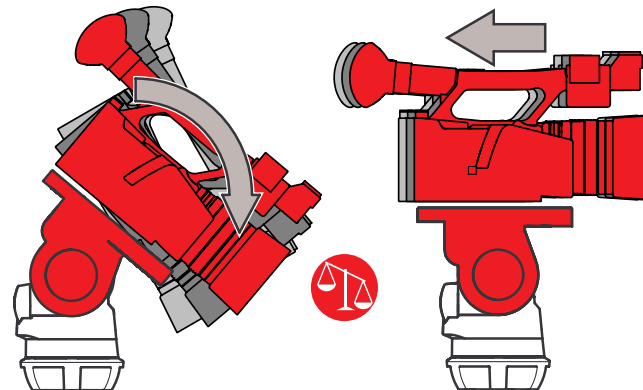
(a) Unlock the sliding balance plate by unscrewing the balance plate adjuster on the balance plate.



(b) If the payload tilts backwards (points up), slide it towards the front of the fluid head. Re-lock the sliding balance plate.



(c) If the payload tilts forwards (points down), slide it towards the rear of the fluid head. Re-lock the sliding balance plate.



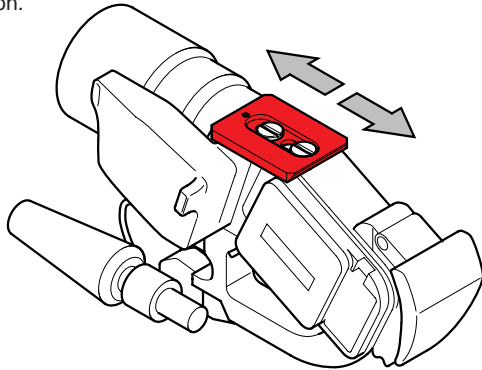
(d) Re-check the movement of the payload. If further adjustments are required, repeat steps 1 to 3.

Operation

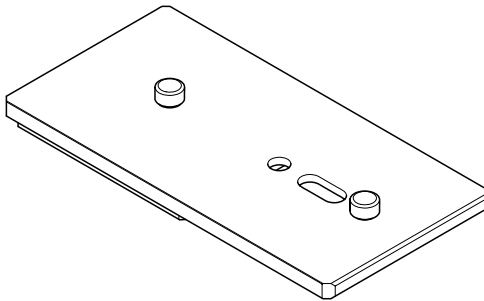
Additional C of G Adjustments

If it is not possible to correctly set the payload C of G using the standard method:

1. Move the camera plate to offset the payload further in the required direction.



2. Use the C.O.G plate (# 1465) which is available as an accessory for the Touch & Go models.



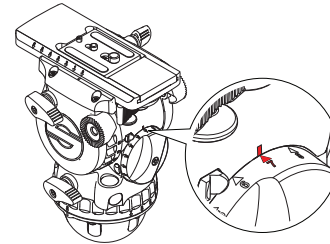
Adjusting the Counterbalance

The fluid head is equipped with a 15 + 0 step counterbalance adjuster to accurately balance the payload.

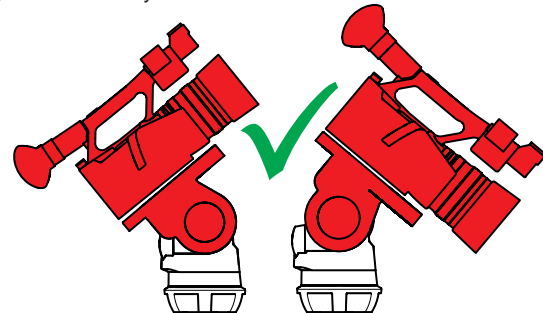


Moving the counterbalance from one setting to another requires the head to pass the horizontal position to take affect.

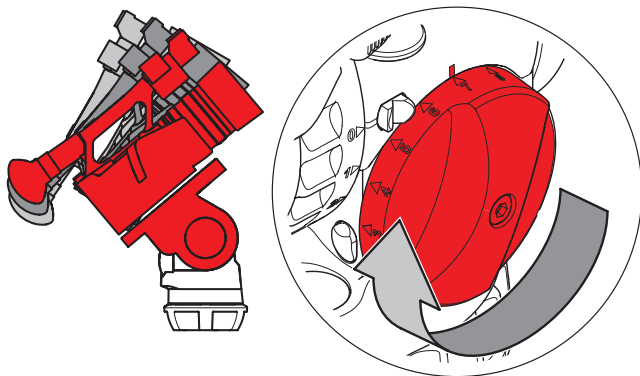
1. Set the counterbalance adjustment knob to the mid-range setting.



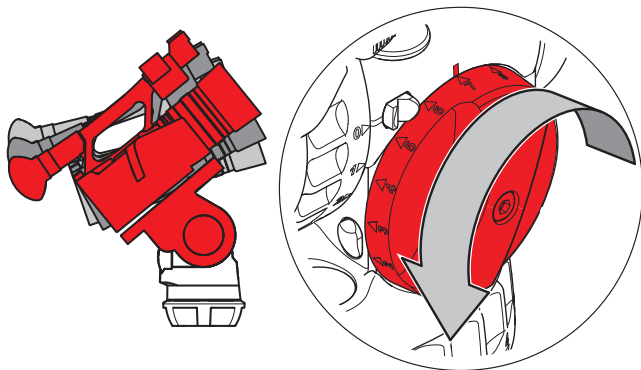
2. Tilt the payload approximately 30° in both directions and release it. If the payload stays in the same position when released, the payload is correctly balanced.



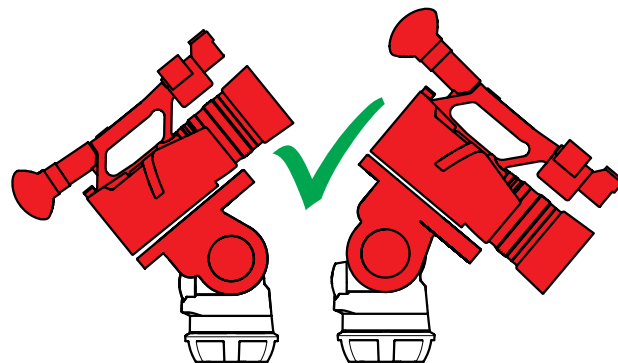
3. If the payload continues to move upwards when released, the balance is set too high. Lower the balance adjuster setting by one increment and retest.



4. If the payload continues to move backwards when released, the balance is set too low. Raise the balance adjuster setting by one increment and retest.



5. Tilt the payload through positive and negative angles of travel, checking that the payload remains at any angle of tilt unsupported.




If the payload angle falls away, repeat the balancing procedure (step 3 or 4) until balance is achieved.

Operation

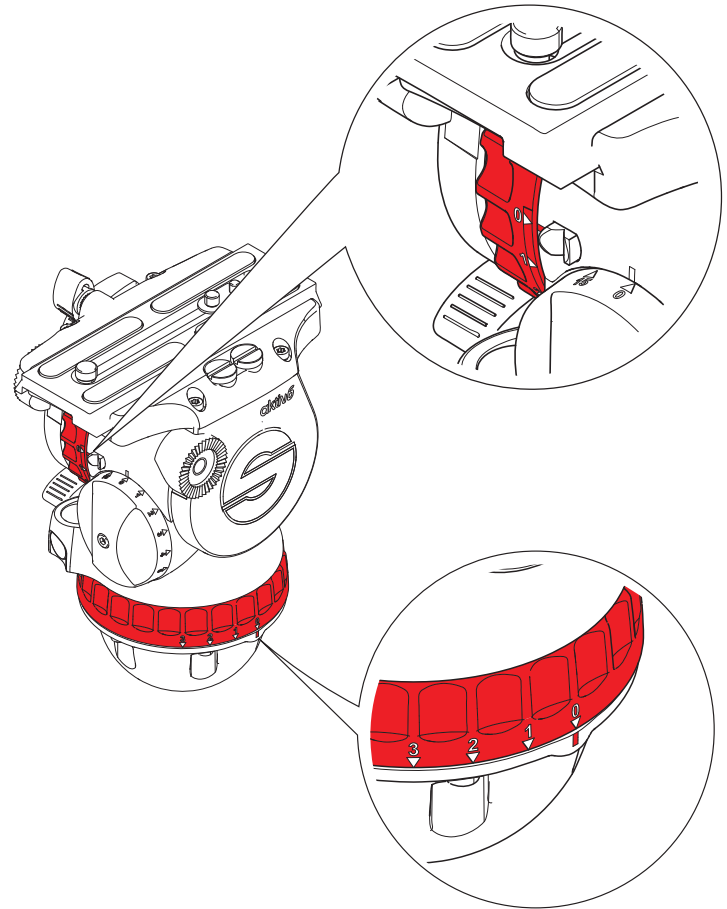
Adjusting the Drags

The fluid head is equipped with horizontal and vertical drag controls. The drags help to eliminate jerks and vibrations when moving the fluid head during filming. The drags can also be fully disengaged.

⚠ CAUTION! Always set the drag adjusters to the index positions. Setting the drag adjusters between index positions can cause serious damage to the fluid head.

 Applying the same drag setting to the horizontal and vertical controls enables precise and even diagonal movement.

1. Turn the horizontal and vertical drag controls to the required index position by aligning the arrow with the dot marker. Turn the brakes off and engage the drag by slowly panning or tilting the camera.
2. Turn the drag controls to the 0 position to switch off the drag completely.



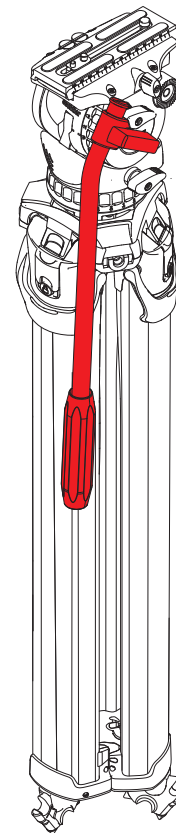
Transportation Head Settings

To ensure smooth and reliable operation over the long life of the fluid head, the following settings should be applied to the controls during transportation or periods of storage:

Brakes	Open (OFF)
Counterbalance	Maximum
Drags	Maximum

Transporting with the Pan Bar

To transport the fluid head with the pan bar attached, stow in the vertical position with the tripod legs to prevent damage.



Maintenance

Cleaning and Inspection

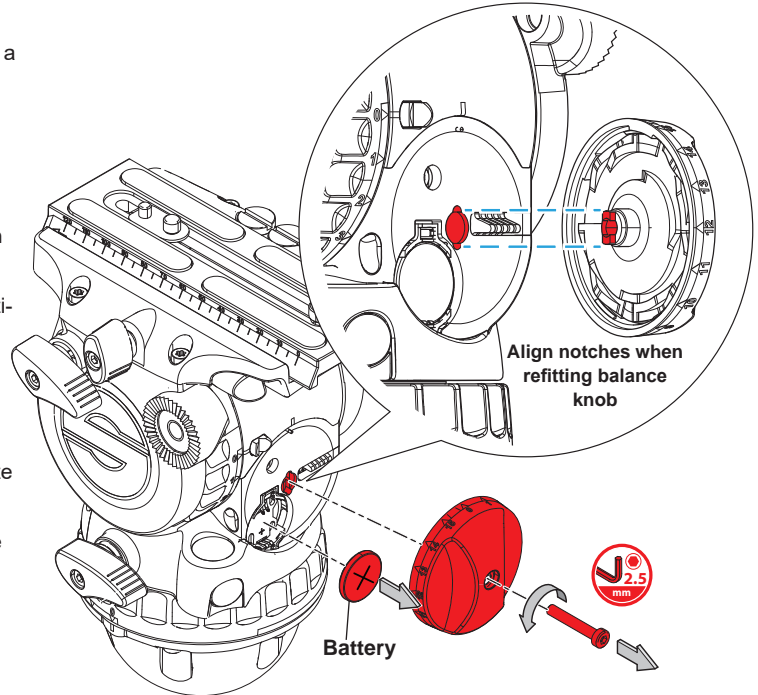
Clean the fluid head regularly using a soft cloth. For heavier dirt use a soft brush and a mild detergent.

Regular inspections are not required.

Changing the Battery

The illuminated bubble level is powered by one standard type button cell (CR2032, 3 V).

1. Using a suitable Hex key 2.5mm, remove the Hex bolt (turn anti-clockwise) from the counter balance knob.
2. Remove the counter balance knob assembly to expose the battery.
3. Prise the battery from its location using a finger nail or suitable flat blunt instrument. For battery disposal see "Disposal of waste batteries" on page 30
4. Replace the new battery observing the correct polarity (positive face up). Press the bubble prism to check the light is working.
5. Reassemble the counter balance knob. Note, the knob centrepiece must align with the notches on the head at the 12 o'clock and 6 o'clock positions.
6. Replace the Hex bolt and tighten. Check the operation of the counter balance knob to confirm correct operation.



Routine Maintenance

Periodically operate the horizontal and vertical drags through their full range of indexing to ensure the engaging pins in fluid head stay lubricated.

The battery should last for approximately 2000 illumination cycles.



Weight

aktiv6	2.6 kg (5.7 lb)
aktiv8	2.7 kg (5.9 lb)
aktiv8T	2.8 kg (6.2 lb)
aktiv10	2.9 kg (6.4 lb)



Max. Payload

aktiv6	8 kg (17.6 lb)
aktiv8	12 kg (26.5 lb)
aktiv8T	12 kg (26.5 lb)
aktiv10	12 kg (26.5 lb)



Height

aktiv6	186 mm (7.3 in)
aktiv8	186 mm (7.3 in)
aktiv8T	186 mm (7.3 in)
aktiv10	188 mm (7.4 in)



Drags (horizontal and vertical)

aktiv6	3 settings plus 0
aktiv8	7 settings plus 0
aktiv8T	7 settings plus 0
aktiv10	7 settings plus 0



Counterbalance steps

aktiv6	15 settings plus 0
aktiv8	15 settings plus 0
aktiv8T	15 settings plus 0
aktiv10	15 settings plus 0



Camera plate sliding range

Touch & Go S - 60 mm (2.4 in)
Sideload S - 120 mm (4.7 in)



Temperature range

-40°C (-40°F) to +60°C (+140°F)



Battery

CR 2032, 3 V



Tilt range

aktiv6	+90° to -70°
aktiv8	+90° to -70°
aktiv8T	+90° to -70°
aktiv10	+90° to -70°



Camera fitting

Touch & Go camera plate S (# 0364)
Sideload camera plate (# 0164)



Tripod fitting

75 mm bowl with SpeedSwap base
100 mm bowl with SpeedSwap base



Pan bar type

Single pan bar DV 75 (# 0992SP)
Diameter 16 / 28 mm (0.63 in / 1. in)
Length 430 mm (16.9 in)

We reserve the right to make changes to the product based on technical advances.

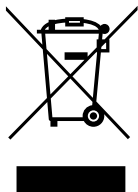
Declaration of Conformity



Vitec Production Solutions Limited declares that this product has been manufactured in accordance with BS EN ISO 9001:2008 and is in compliance with the essential requirements and other relevant provisions of the EC Directives 2004/108/EG EMC. A copy of the Declaration of Conformity is available on request.

Environmental considerations

European Union Waste of Electrical and Electronic Equipment (WEEE) Directive (2012/19/EU)



This symbol marked on the product or its packaging indicates that this product must not be disposed of with general household waste. In some countries or European Community regions separate collection systems have been set up to handle the recycling of electrical and electronic waste products. By ensuring this product is disposed of correctly, you will help prevent potentially negative consequences for the environment and human health. The recycling of materials helps conserve natural resources.

Visit our website for information on how to dispose of this product and its packaging.

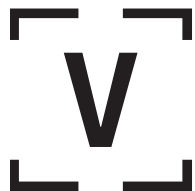
In countries outside the EU:

Dispose of this product at a collection point for the recycling of electrical and electronic equipment according to your local government regulations.

Disposal of waste batteries

Any batteries included with this product must not be treated as household waste. By ensuring these batteries are disposed of correctly, you will help prevent potentially negative consequences for the environment and human health, and help conserve natural resources.

Read “Changing the Battery” on page 28 in this user guide for instructions on how to remove the battery from the product safely. Hand the battery over to the applicable collection point for recycling waste batteries.



Sachtler
A Vitec Group Brand

